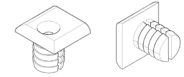


Step 1.

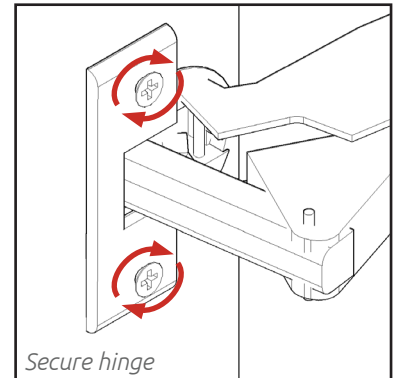
Discard existing hinge dowels and replace with new ones provided.



Hinge dowels

Step 2.

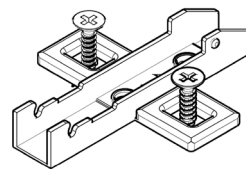
Insert hinge with hinge dowels into hinge holes provided.



Secure hinge

Step 3.

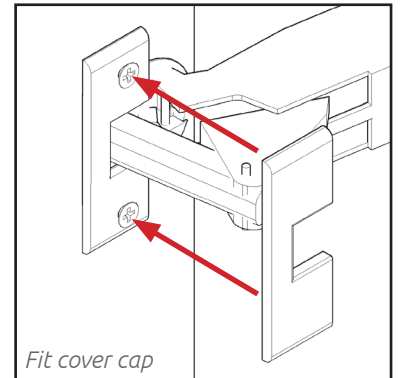
Secure hinges with the 2 x screws, already located in the hinges.



Hinge plate

Step 4.

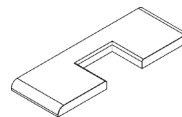
Attach the door to unit, clip hinge onto hinge plate and click to secure.



Fit cover cap

Step 5.

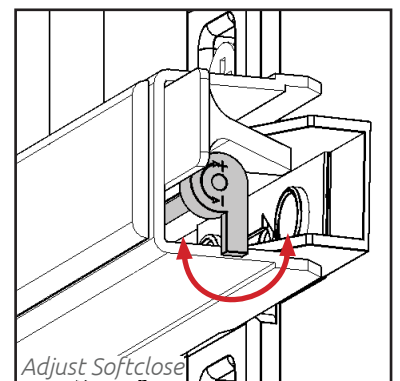
Adjust hinge to suit. As shown below.



Hinge cover cap

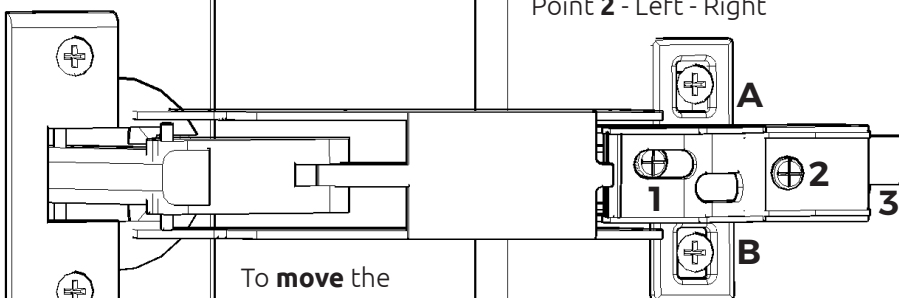
Step 6.

Fit cover cap and adjust soft close to suit.



Adjust Softclose

FRONTAL HINGE ADJUSTMENT



To **adjust** hinge using a screw driver, tighten or loosen as required at points **1 & 2**.

Point **1** - In - Out
Point **2** - Left - Right

To **move** the hinge up/down, loosen screws **A** + **B**, manoeuvre the door, then re-tighten the screws.

To **Release** door, pull catch (**3**) at the rear of the hinge to release hinge from the hinge plate.

View from Inside of Unit

The top and bottom hinges **MUST** be adjusted to the **SAME STRENGTH**.