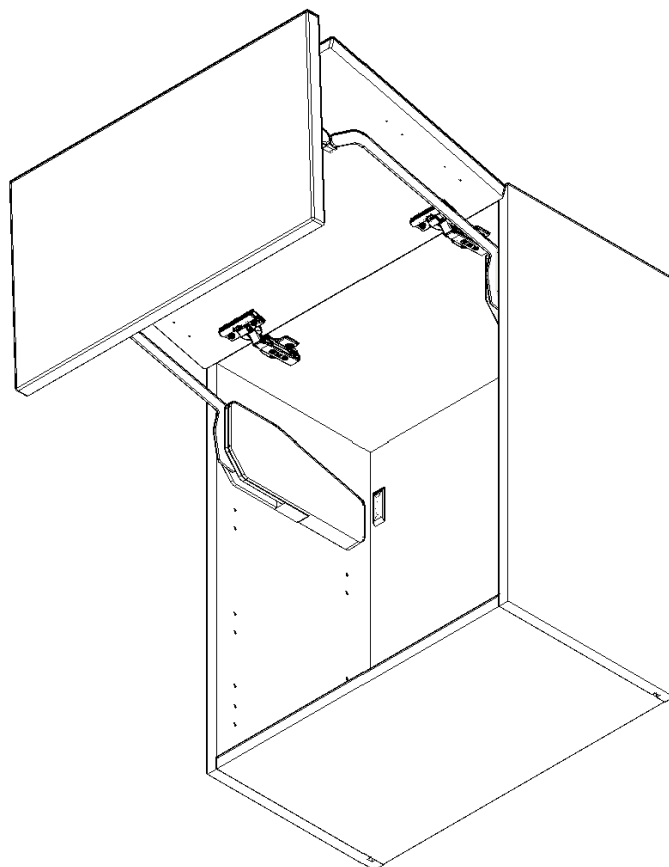


Piston Lift



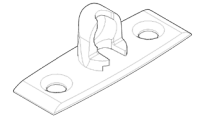
Bi Fold Lift

Lift Mechanism Replacement Frontal Guide

Piston Lift

Step 1.

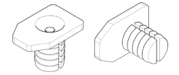
Secure piston brackets with 2 x 15mm screws into position as shown, using pilot holes on the frontal as a guide. See *fig 1*.



Piston Plate

Step 2.

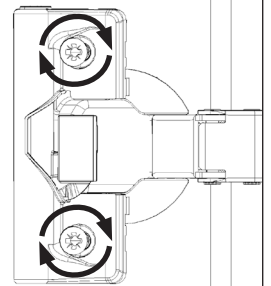
Discard existing hinge dowels and replace with new ones provided.



Hinge Dowels

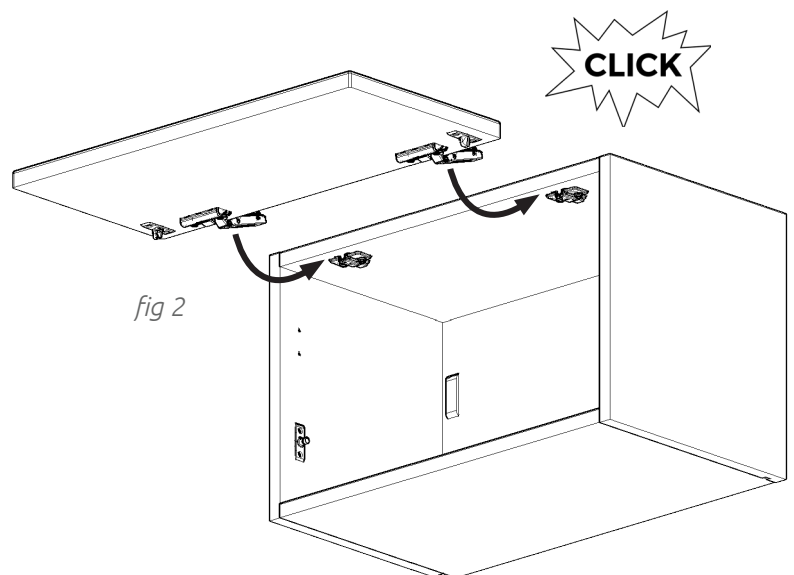
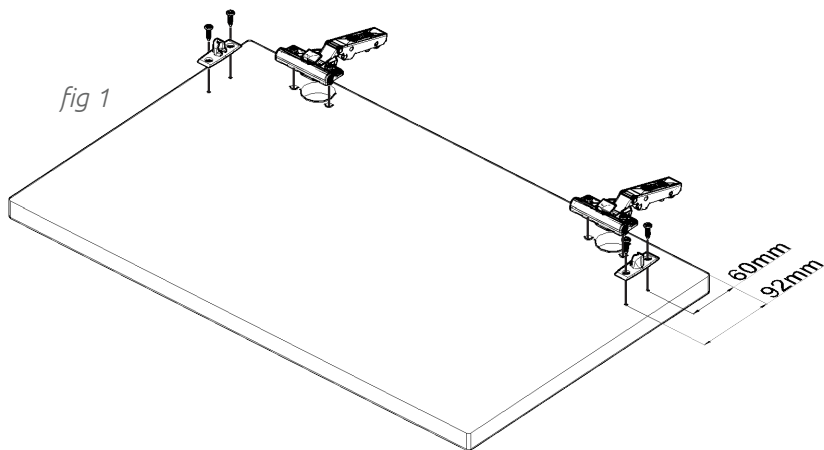
Step 3.

Insert hinges into hinge holes provided. See *fig 1*.



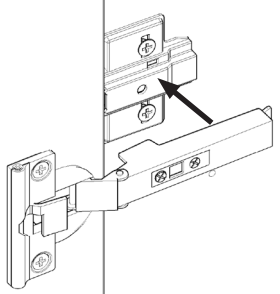
Step 4.

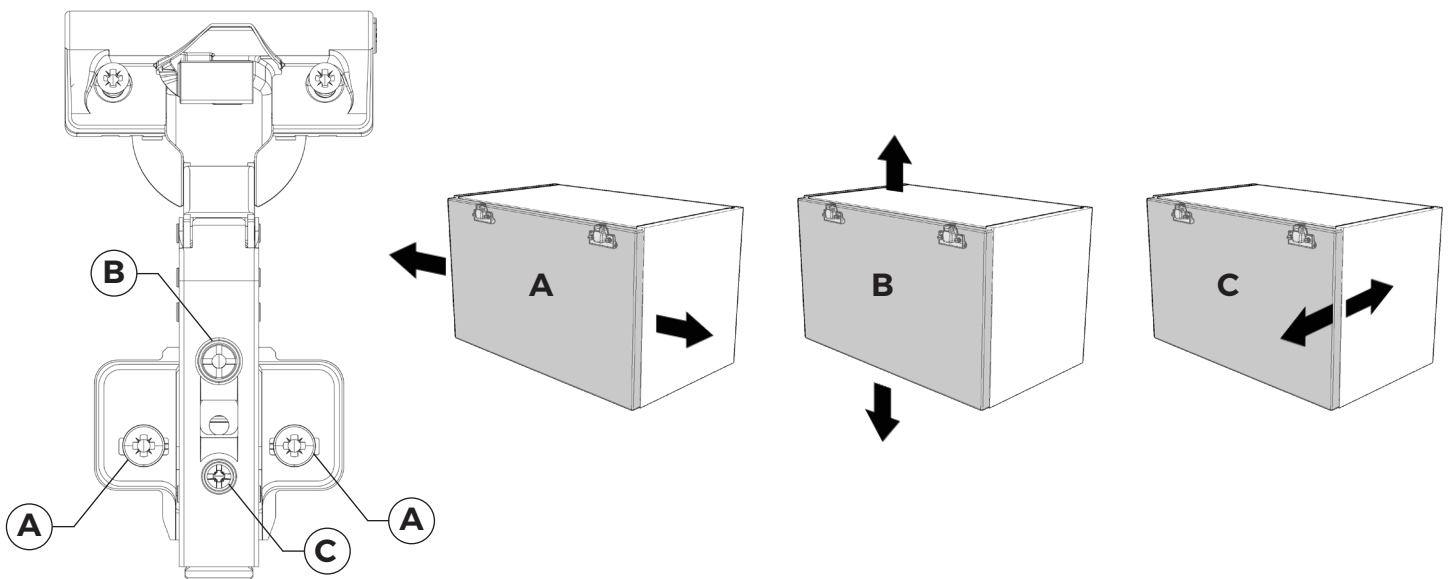
Secure hinges with the 2 x original screws.

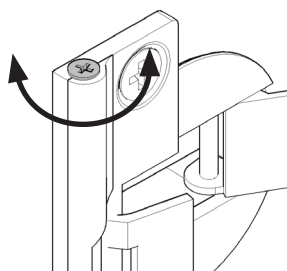
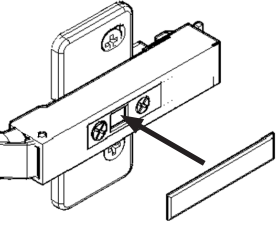


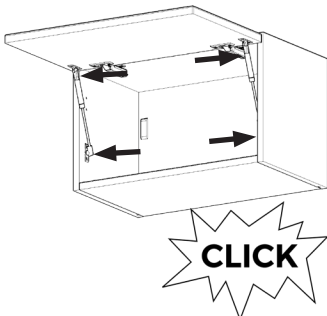
Lift Mechanism Replacement Frontal Guide

Piston Lift

		<p>Step 5. Attach the door to unit, clip hinges onto hinge plates and click to secure. See <i>fig 2</i>.</p>
---	---	---



	<p>Step 6. Adjust hinges to suit, using the highlighted screw(s) shown.</p>	
<p>Step 7. Fit cover caps to hinges and adjust soft-close to suit.</p>		

	<p>Step 8. Clip piston onto piston mounting plates on the unit and frontal.</p>
--	--



Both hinges **MUST** be adjusted to the **SAME STRENGTH**.

Lift Mechanism Replacement Frontal Guide

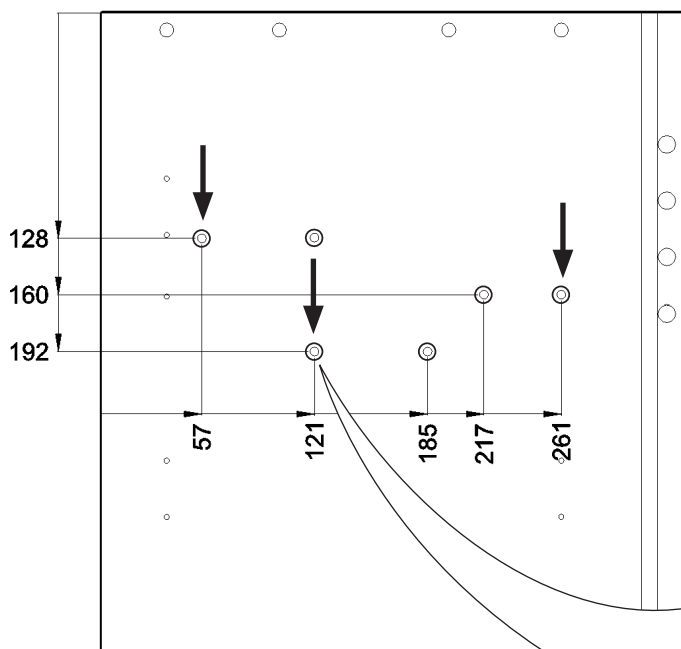
Bi Fold Lift

Step 1.

Line up and insert 3 x mechanism pins into holes provided as shown.

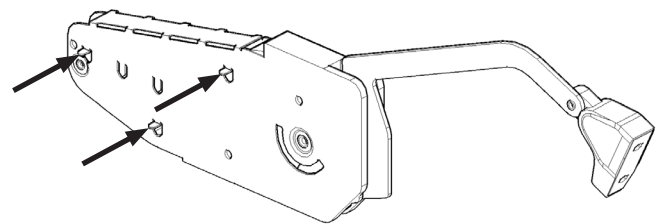
End panel mechanism pin hole locations

Measure from Top - Front edge of unit

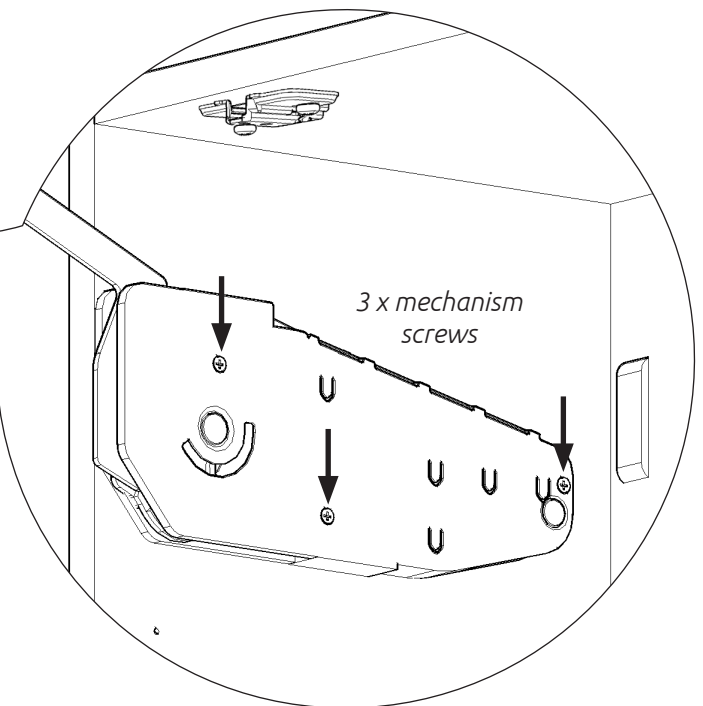


View from inside of unit
top of left hand end panel

3 x mechanism pins



View from rear of Bi Fold mechanism



3 x mechanism
screws

View from inside of unit

Step 2.

Tighten 3 x screws on each Bi Fold mechanism into the unit. These are already positioned within the mechanism.

Lift Mechanism Replacement Frontal Guide

Bi Fold Lift

Step 3.

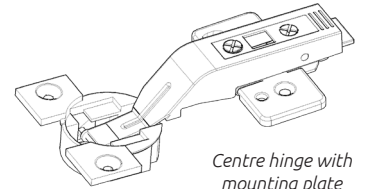
Discard existing hinge dowels and replace with new ones provided.



Hinge Dowels

Step 4.

Insert top hinges into hinge holes provided on one frontal. On the same frontal, fix centre hinge mounting plates as shown in *fig 1*.



Centre hinge with mounting plate

Step 5.

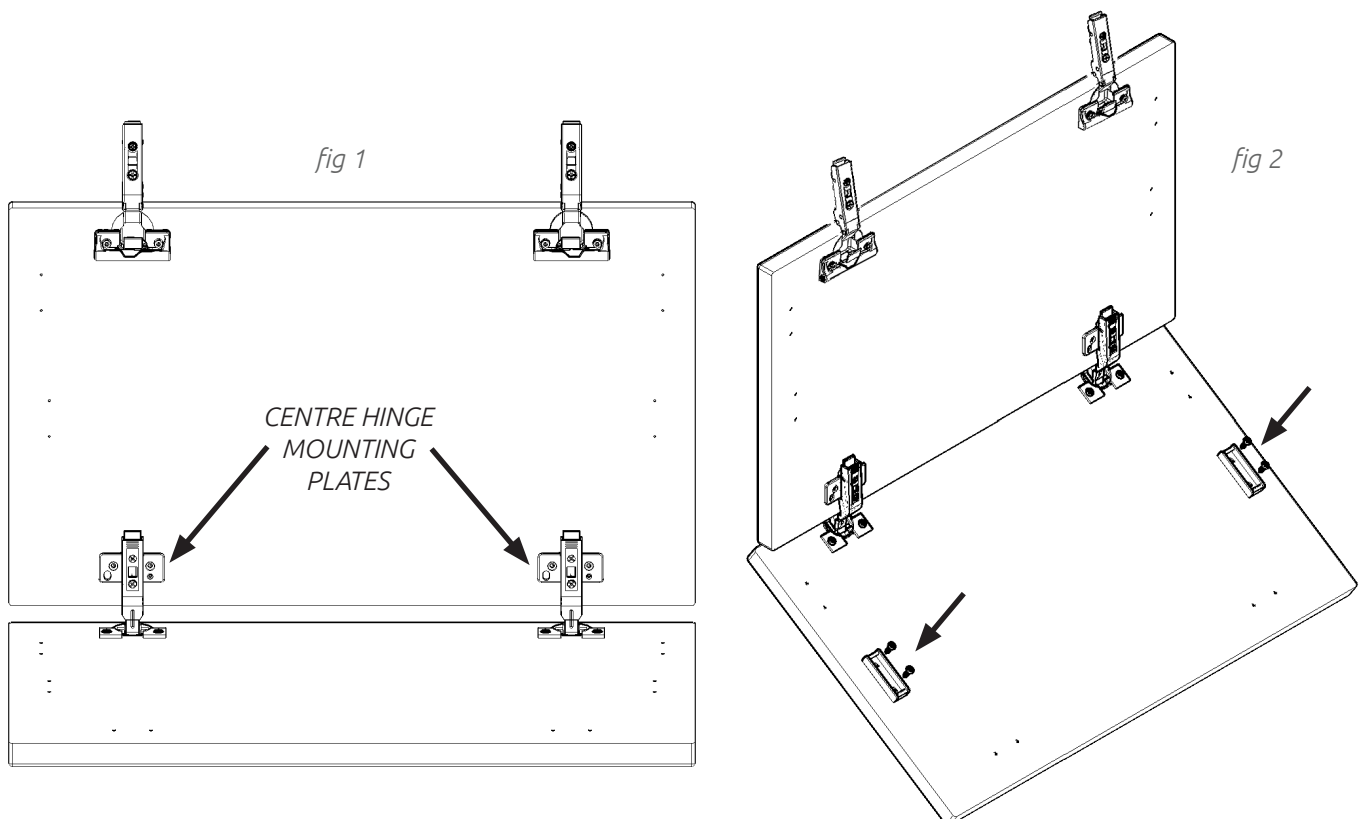
Insert centre hinges into hinge holes provided on the second frontal. Secure all hinges with 2 x original screws per hinge.

Step 6.

Attach frontals together, clip centre hinge into hinge mounting plate & click to secure.

Step 7.

Secure Bi Fold arm clip to the frontal location as shown, with 2 x 15mm screws per clip as shown in *fig 2*.

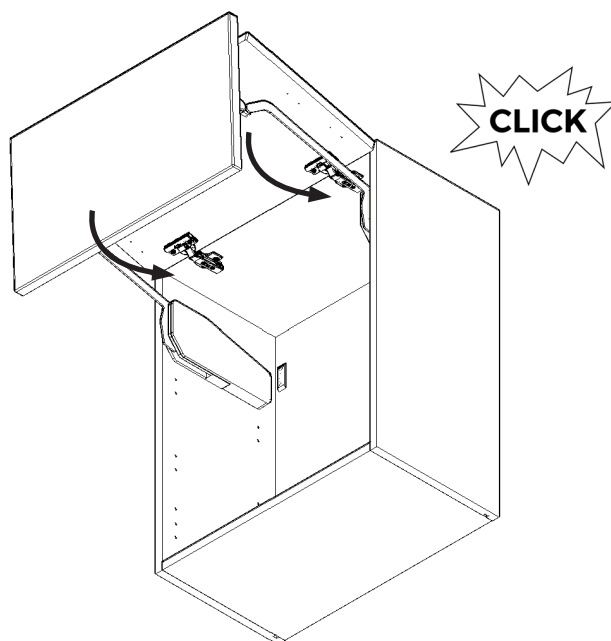


Lift Mechanism Replacement Frontal Guide

Bi Fold Lift

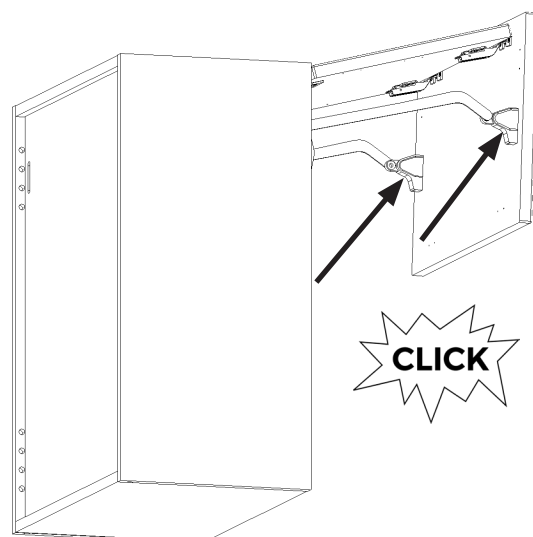
Step 8.

Attach frontals to the unit. Clip hinges onto the hinge plates and click to secure.



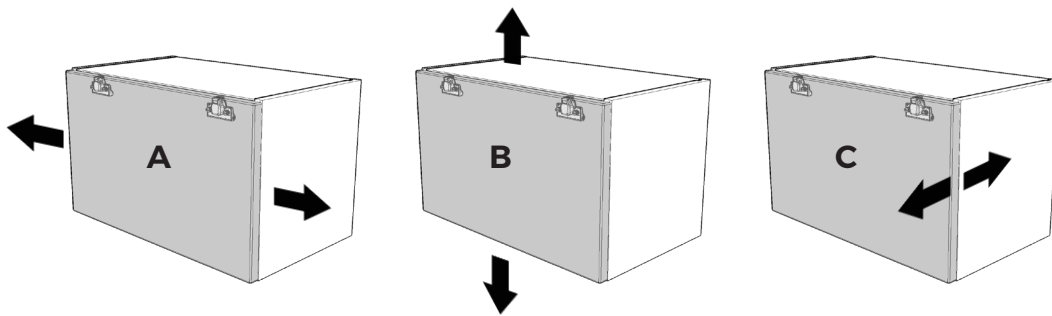
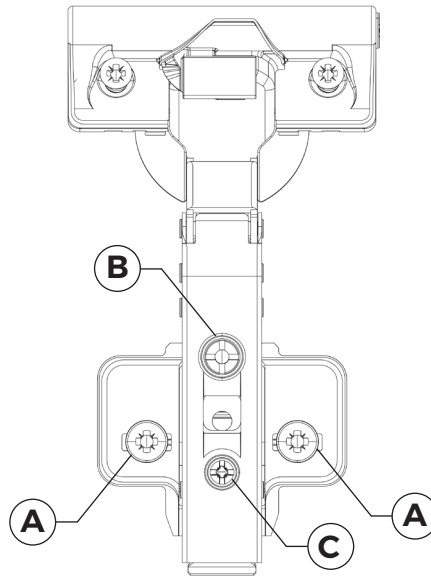
Step 9.


Clip arms onto BiFold arm clips.



Lift Mechanism Replacement Frontal Guide

Bi Fold Lift



	<p>Step 10. Adjust hinges to suit, using the highlighted screw(s) shown.</p>	
<p><i>View from inside of unit</i></p>	<p>Step 11. Fit cover caps to hinges and adjust soft-close to suit.</p>	
<p> Both hinges MUST be adjusted to the SAME STRENGTH.</p>		

wren