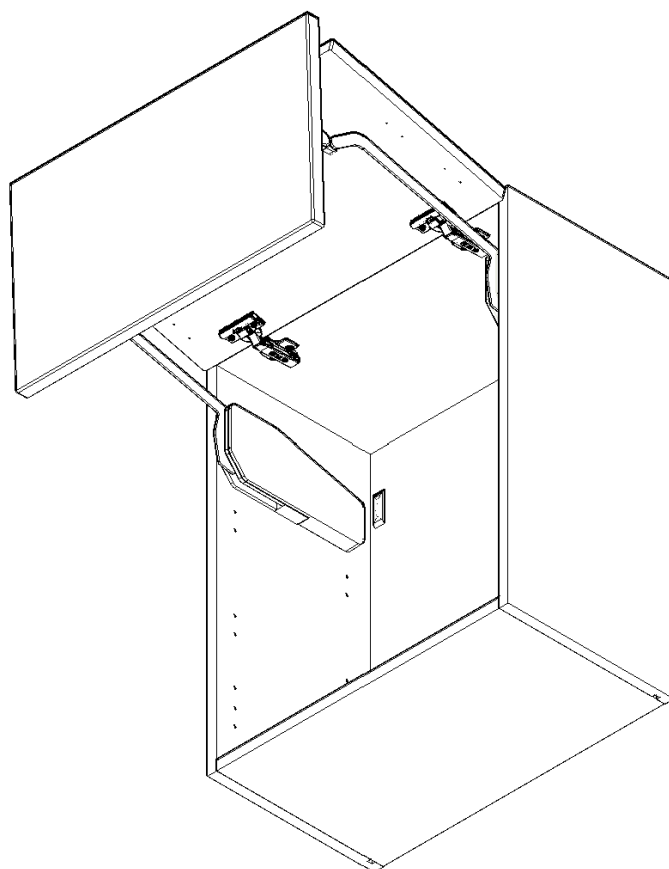


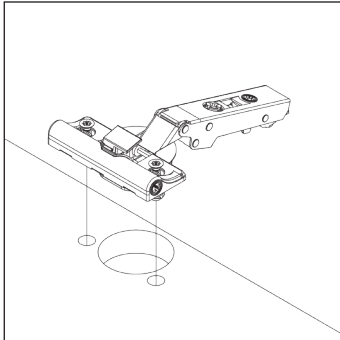
Piston Lift



Bi Fold Lift

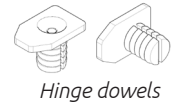
Lift Mechanism Replacement Frontal Guide

Piston Lift

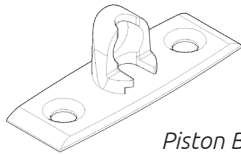


Step 1.

Discard original hinge dowels and replace with new ones provided. Insert hinges into frontal hinge holes provided, secure hinges with the 2 x screws already located in the hinges.



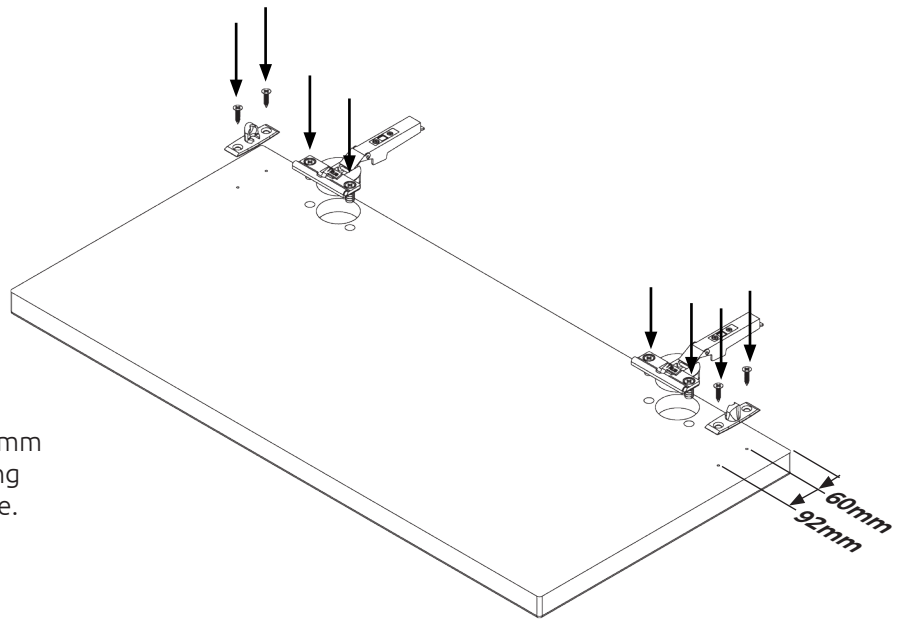
Hinge dowels



Piston Bracket

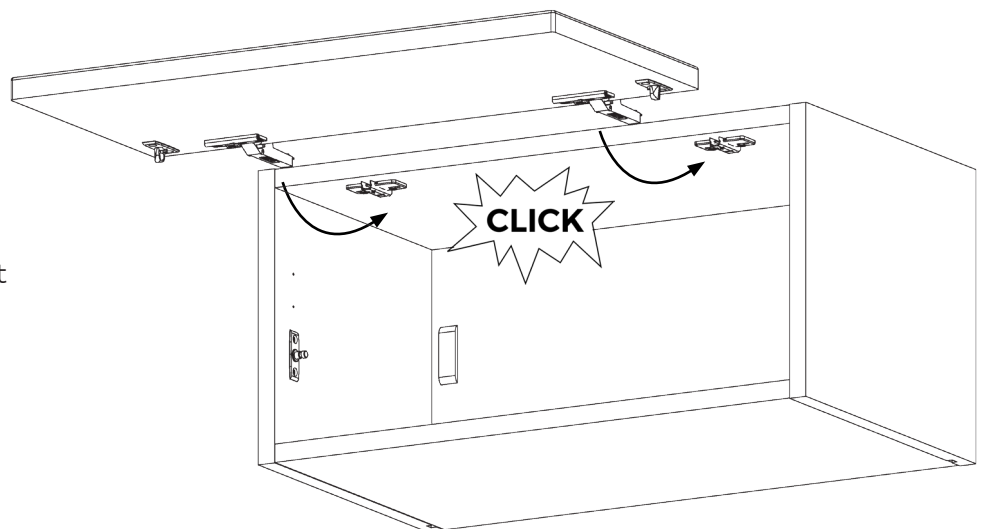
Step 2.

Secure piston brackets with 2 x 15mm screws into position as shown, using pilot holes on the frontal as a guide.



Step 3.

Clip hinges onto hinge mounting plates on the unit and click to secure.

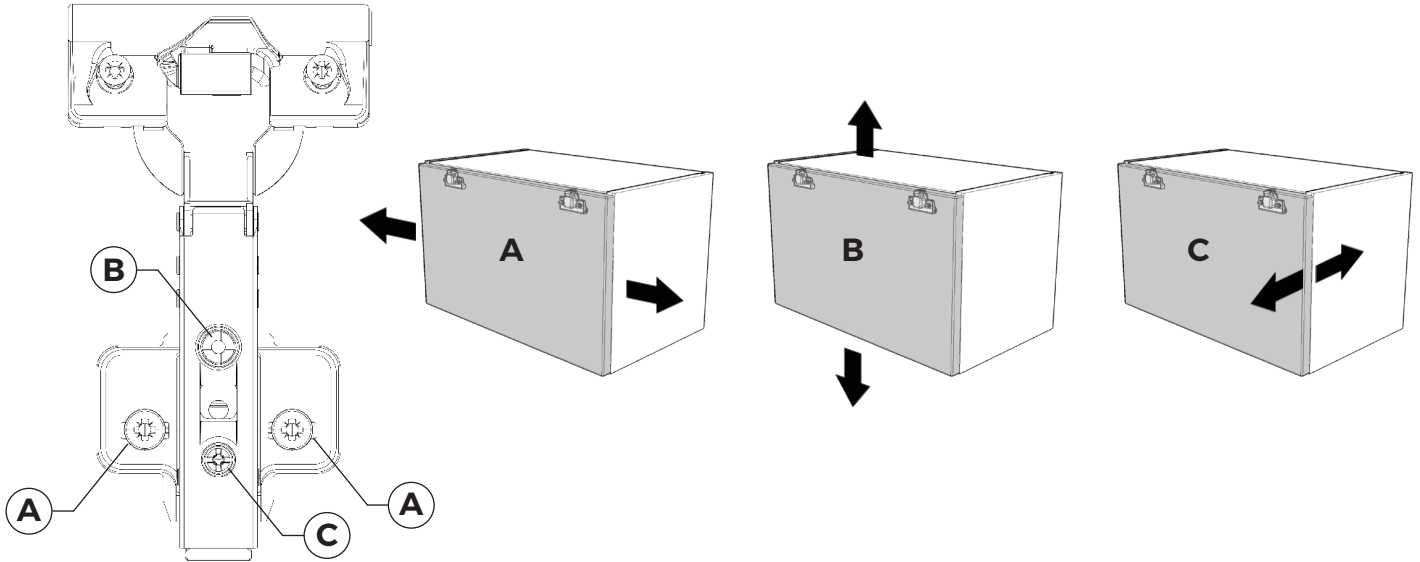


Lift Mechanism Replacement Frontal Guide

Piston Lift

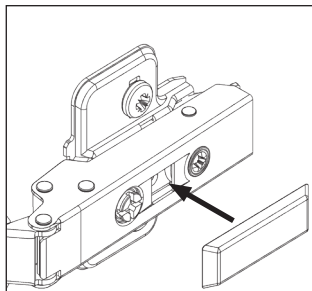
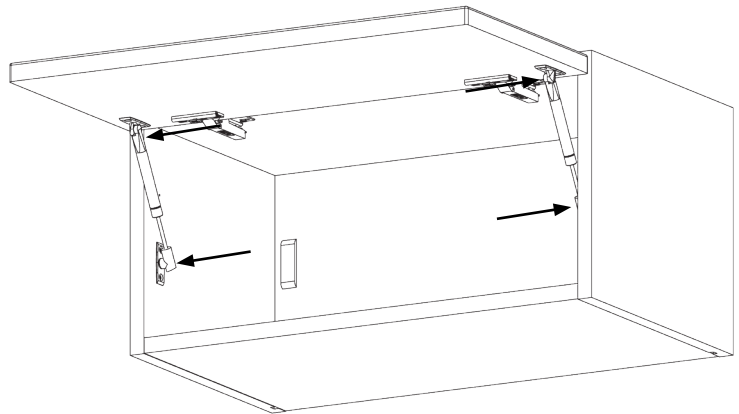
Step 4.

Adjust hinges to suit, using the highlighted screw(s) shown.



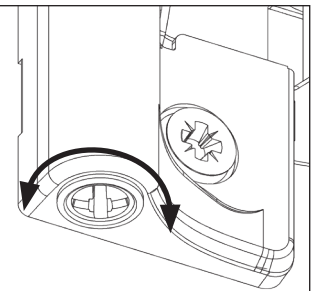
Step 5.

Clip piston onto piston mounting plates on the unit and frontal.



Step 6.

Fit cover caps to hinges and adjust soft-close to suit.



The top and bottom hinges **MUST** be adjusted to the **SAME STRENGTH**.

Lift Mechanism Replacement Frontal Guide

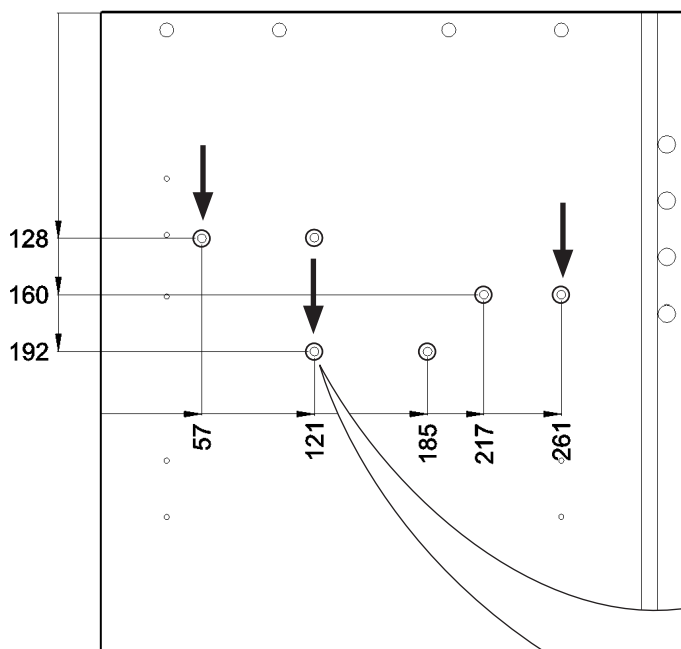
Bi Fold Lift

Step 1.

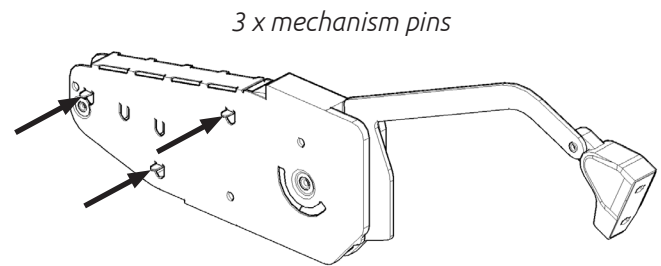
Line up and insert 3 x mechanism pins into holes provided as shown.

End panel mechanism pin hole locations

Measure from Top - Front edge of unit

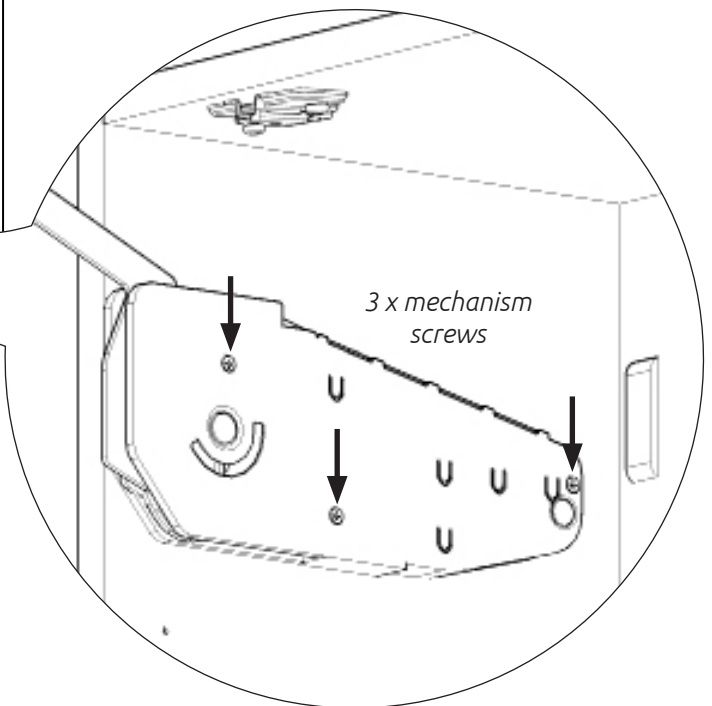


View from inside of unit
top of left hand end panel



3 x mechanism pins

View from rear of Bi Fold mechanism



3 x mechanism screws

View from inside of unit

Step 2.

Tighten 3 x screws on each Bi Fold mechanism into the unit. These are already positioned within the mechanism.

Lift Mechanism Replacement Frontal Guide

Bi Fold Lift

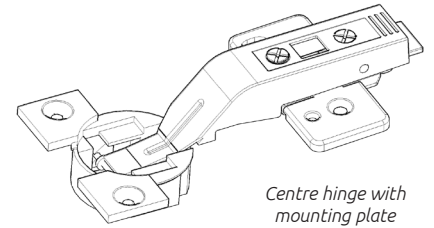
Step 3.

Discard existing hinge dowels and replace with new ones provided. Insert top hinges into hinge holes provided on one frontal. On the same frontal, fix centre hinge mounting plates as shown in *fig 1*.



Step 4.

Insert centre hinges into hinge holes provided on the second frontal. Secure all hinges with 2 x original screws per hinge.

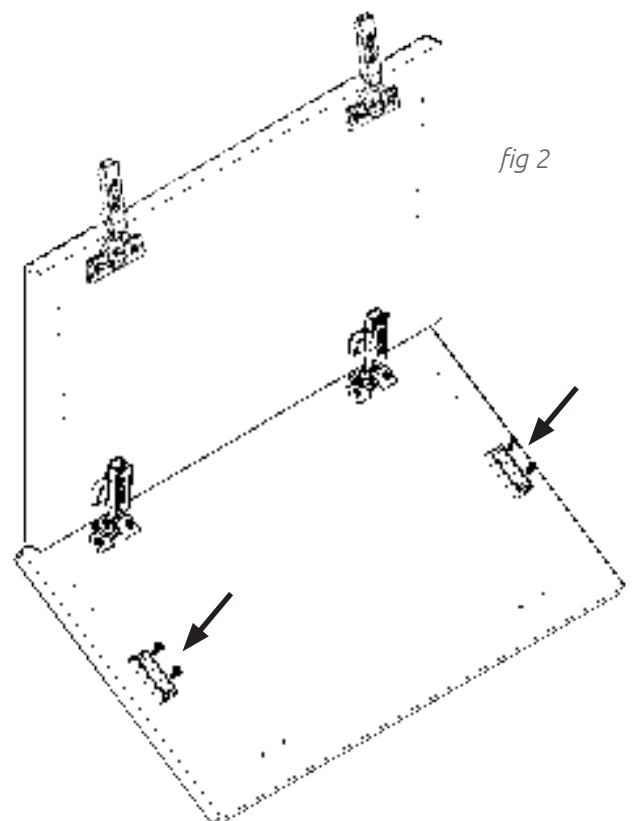
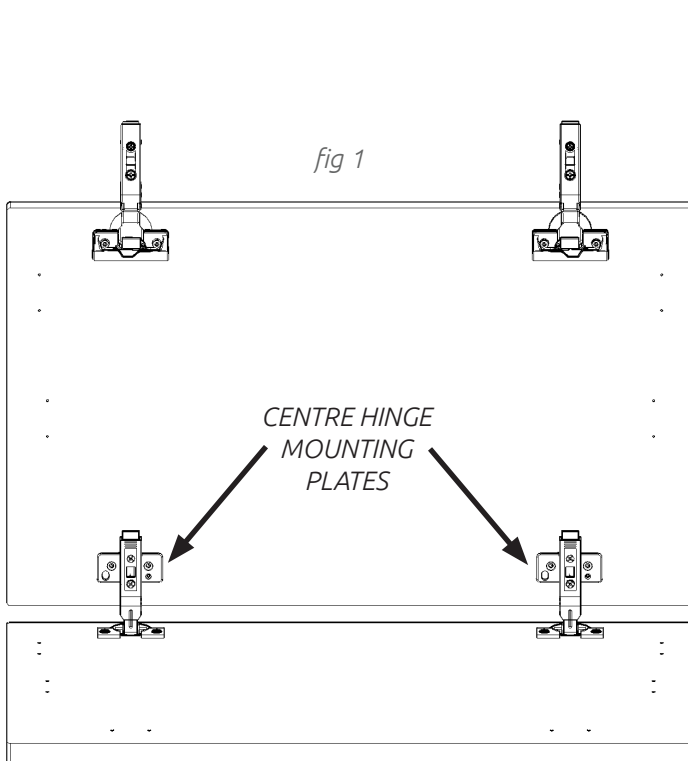


Step 5.

Attach frontals together, clip centre hinge into hinge mounting plate & click to secure.

Step 6.

Secure Bi Fold arm clip to the frontal location as shown, with 2 x 15mm screws per clip as shown in *fig 2*.

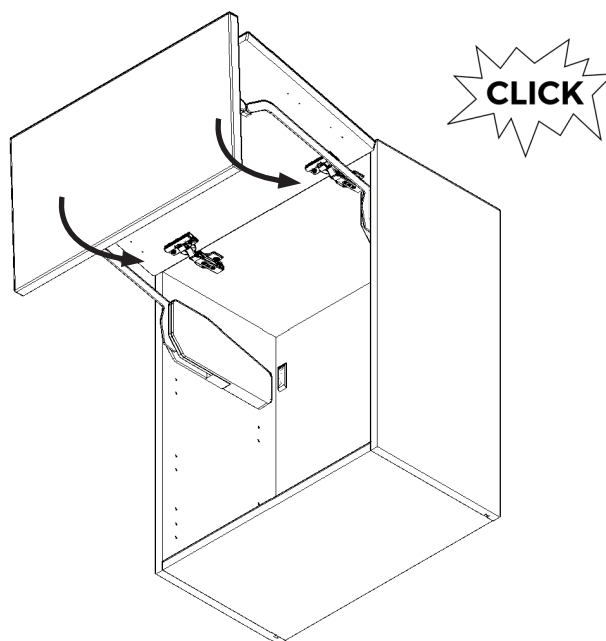


Lift Mechanism Replacement Frontal Guide

Bi Fold Lift

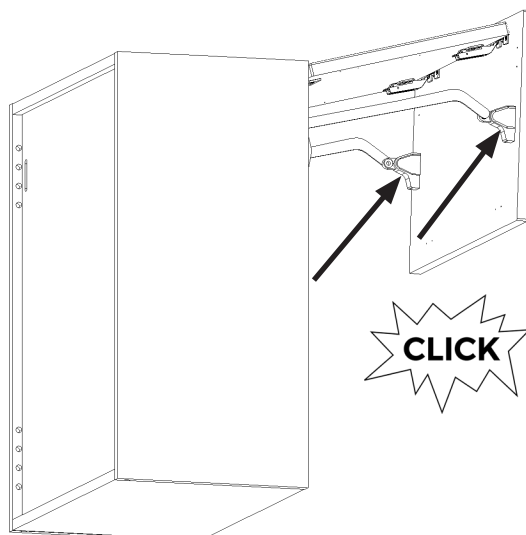
Step 7.

Attach frontals to the unit. Clip hinges onto the hinge plates and click to secure.



Step 8.

Clip arms onto BiFold arm clips.

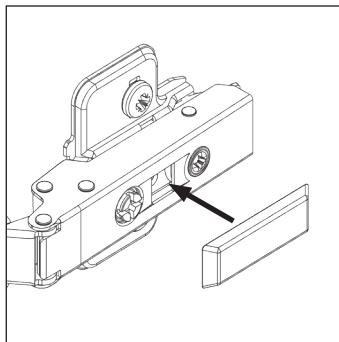
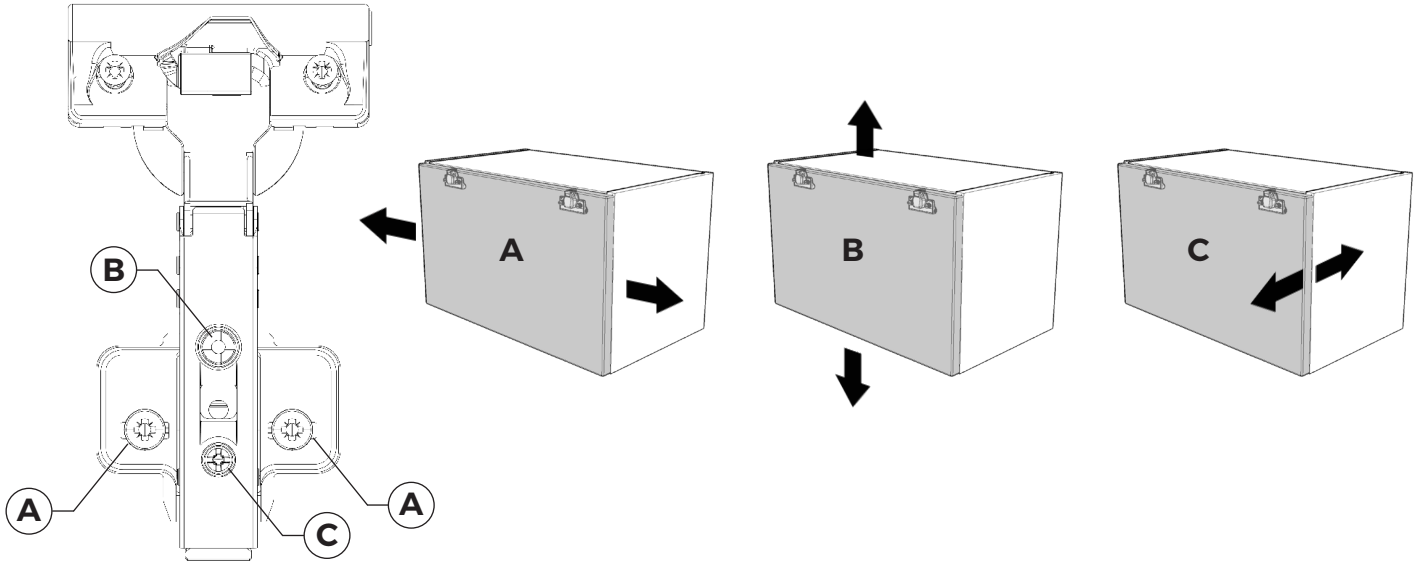


Lift Mechanism Replacement Frontal Guide

Bi Fold Lift

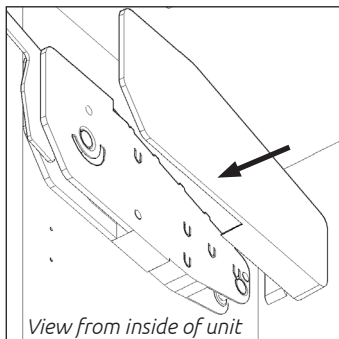
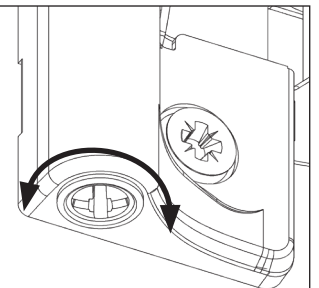
Step 9.

Adjust hinges to suit, using the highlighted screw(s) shown.



Step 10.

Fit cover caps to hinges and adjust soft-close to suit.



Step 11.

Fit cover to lift mechanisms.



Both hinges **MUST** be adjusted to the **SAME STRENGTH**.

wren