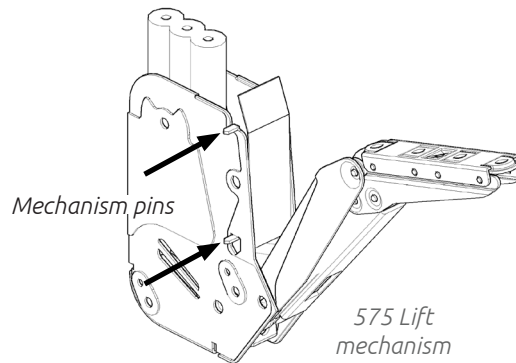


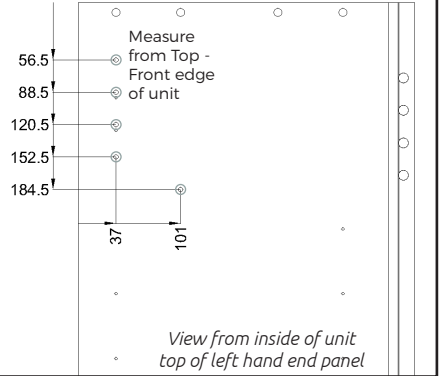
## 575 Lift Mechanism Replacement Frontal Guide

### Step 1.

Line up and insert the mechanism pins into holes provided.

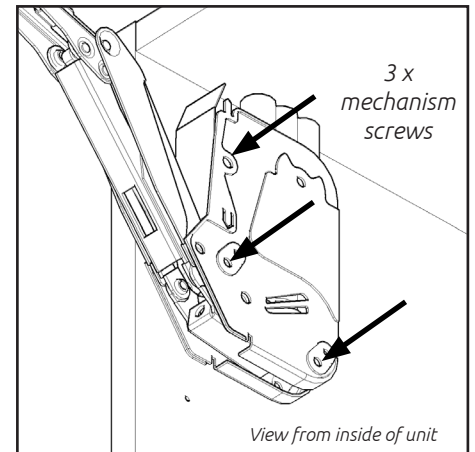


### End panel mechanism pin hole locations



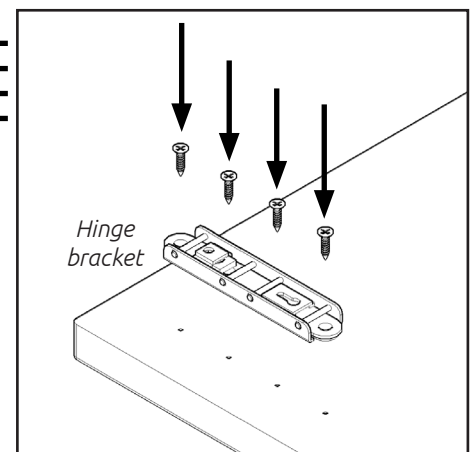
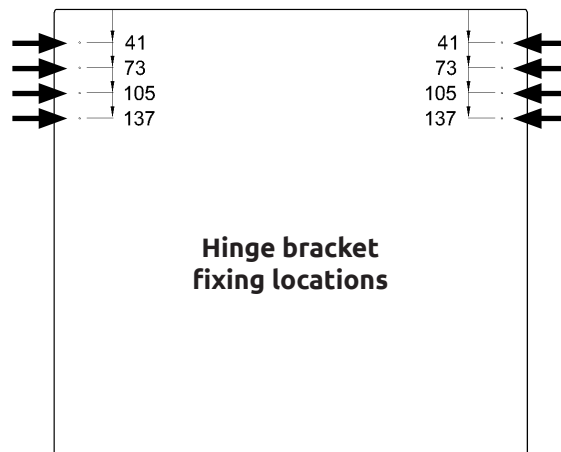
### Step 2.

Tighten 3 x screws on each lift hinge into the unit. These are already positioned within the mechanism.



### Step 3.

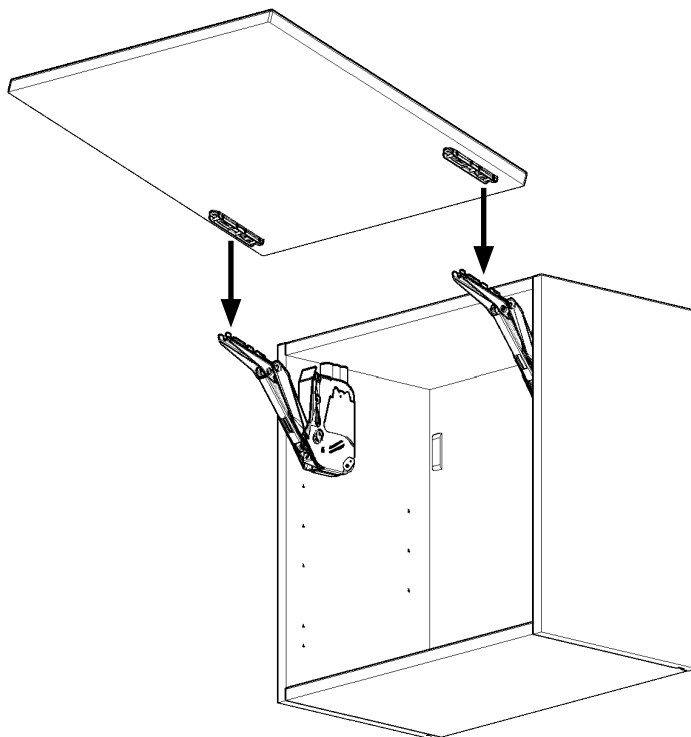
Screw the provided 4 x 15mm screws into each hinge bracket as shown.



## 575 Lift Mechanism Replacement Frontal Guide

### Step 4.

Attach the frontal to the unit, clip hinge brackets onto hinge mechanism arm and click to secure.



Please refer to lift hinge instructions provided or visit website: [hafele.com/external/free](http://hafele.com/external/free) for further frontal adjustment information if required.

### Step 5.

Once the frontal has been adjusted, place plastic covers over the lift hinges.

