

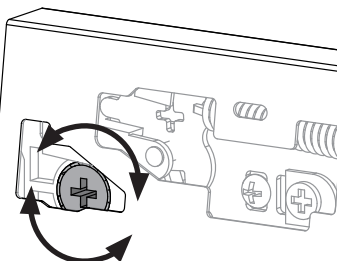
DRAWER ADJUSTMENT

wren

TM Frontal Adjustment Guide

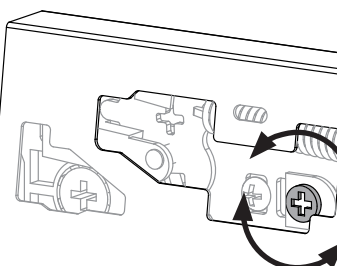
Left and Right Adjustment

Turn the screw shown to **adjust** the drawer frontal **left & right**.
Repeat on both sides.



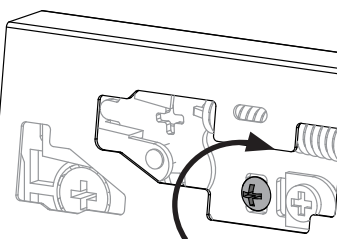
Up & Down Adjustment

Turn the screw shown to **adjust** the drawer frontal **up & down**.
Repeat on both sides.



Lock Position

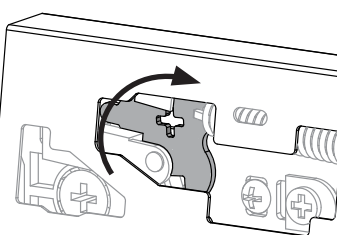
Tighten the screw shown to **lock** the drawer frontal in position.
Repeat on both sides.



Remove Frontal

To remove the frontal, release the fixing clip by turning the locking plate screw shown.

Repeat on both sides.



DRAWER ADJUSTMENT

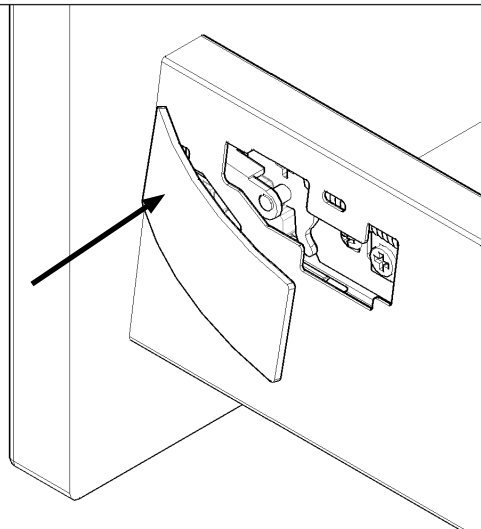
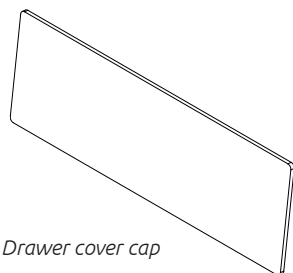


wren

TM Frontal Adjustment Guide

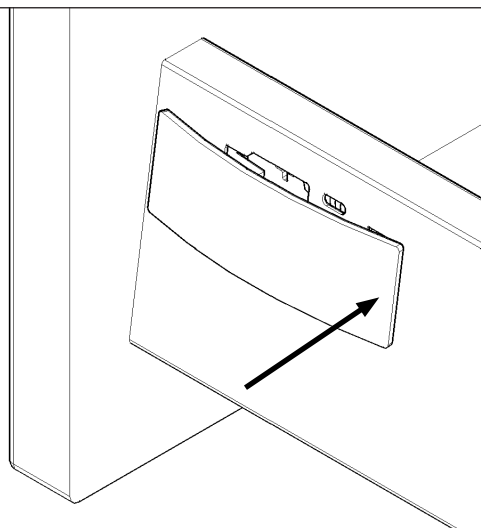
Step 1

Fit drawer cover caps over drawer side adjustment. Position the edge closest to the frontal first.



Step 2

Position the far side edge into place.



Step 3

Press the cover cap against the drawer side to secure it in place. Repeat on the opposite side.

