

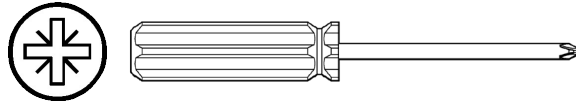
DRAWER ADJUSTMENT

wren

Grass Glass Frontal Adjustment Guide

Tools required:

Cross head screwdriver

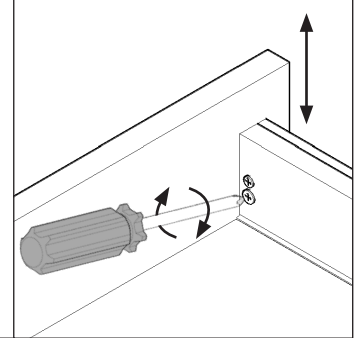


GRASS STANDARD DRAWER

Step 1.

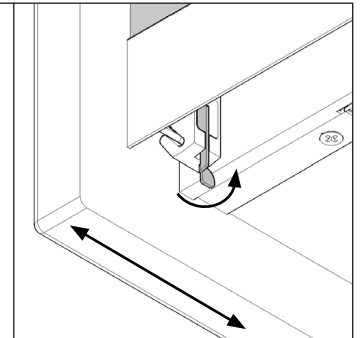
Loosen top screw. Turn the bottom screw to adjust drawer frontal height, once in desired position re-tighten the top screw.

Repeat on both sides.



Step 2.

Press in the fixing clips half way, located at the bottom of the frontal on **both sides** of the drawer. Adjust the position of the drawer frontal, left or right. Release the frontal fixing clips on both sides of the drawer to secure the frontal in the new position.



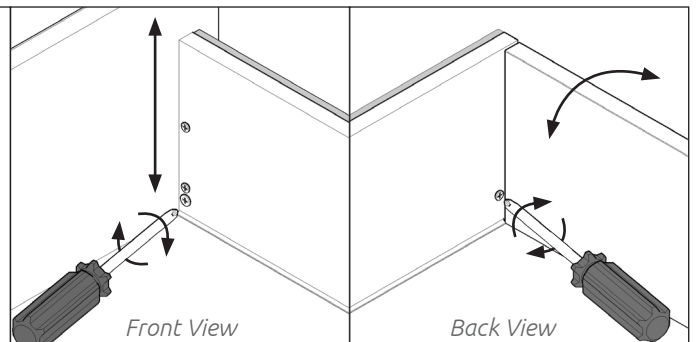
GRASS DEEP DRAWER

Step 1.

Loosen top two screws at the front of the drawer. Turn the bottom screw to adjust frontal height, once in desired position re-tighten the top screws.

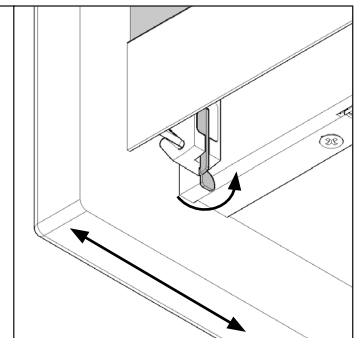
Repeat on both sides.

Turn the screw at the back of the drawer to adjust rear elevation of the drawer. **Repeat on both sides.**



Step 2.

Press in the fixing clips half way, located at the bottom of the frontal on **both sides** of the drawer. Adjust the position of the drawer frontal, left or right. Release the frontal fixing clips on both sides of the drawer to secure the frontal in the new position.



Step 3.

Fit drawer cover caps over drawer side adjustment screws.

