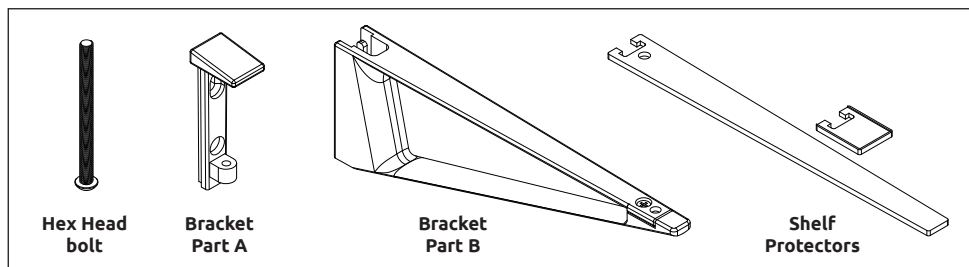
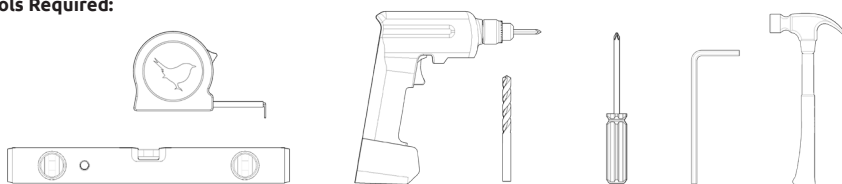


600mm - 1000mm Shelves	2 Brackets
1200mm - 1800mm Shelves	3 Brackets
2000mm - 2400mm Shelves	4 Brackets

Shelf Bracket Fitting Guide



Tools Required:

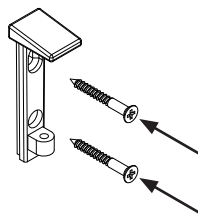


Screws for fixing to walls are not provided as these vary depending on your wall material and construction. Ensure appropriate fixings for wall constructions are used.

Step 1.

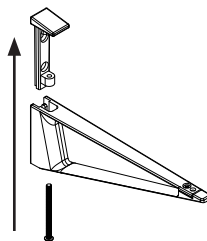
Appropriately measure and attach bracket **part A** to the wall.
60mm to 100mm overhang is recommended on the end brackets.

600mm - 1000mm Shelves 2 Brackets
 1200mm - 1800mm Shelves 3 Brackets
 2000mm - 2400mm Shelves 4 Brackets



Step 2.

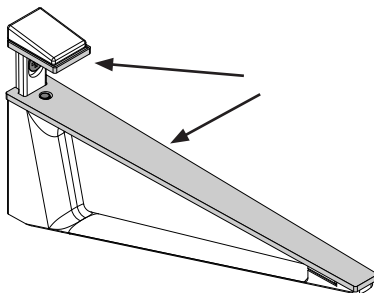
Attach bracket **part B** to bracket **part A** using the hex head bolts provided.
Do not fully tighten bolt, leave a gap slightly bigger than the thickness of your shelf material.



Shelf Bracket Fitting Guide

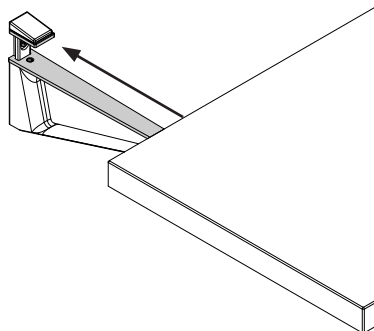
Step 3.

Attach the shelf protectors to brackets **part A & B**



Step 4.

Insert the shelf fully into each bracket.



Step 5.

Position the shelf and evenly space the overhang on the end 2 brackets.

Hand tighten the bolts to lock the shelf into position.

