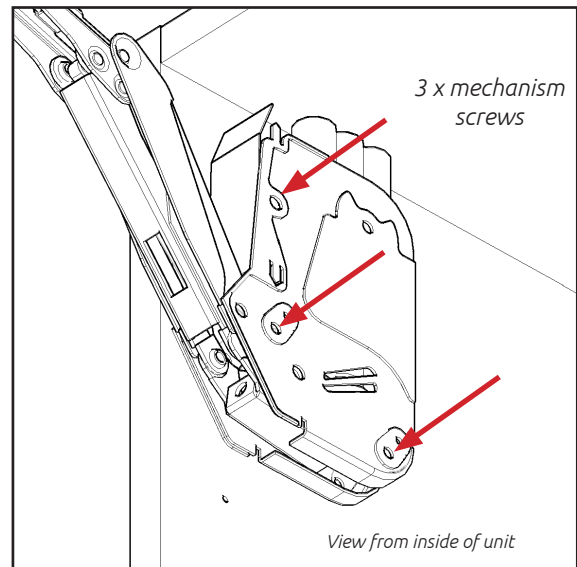
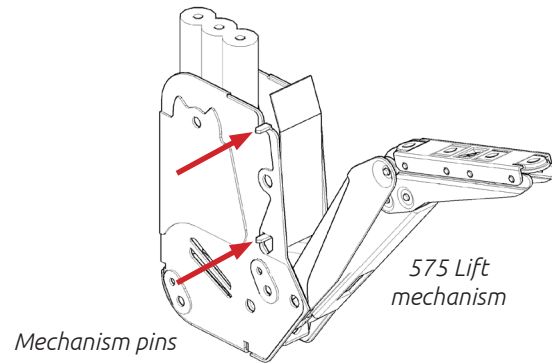
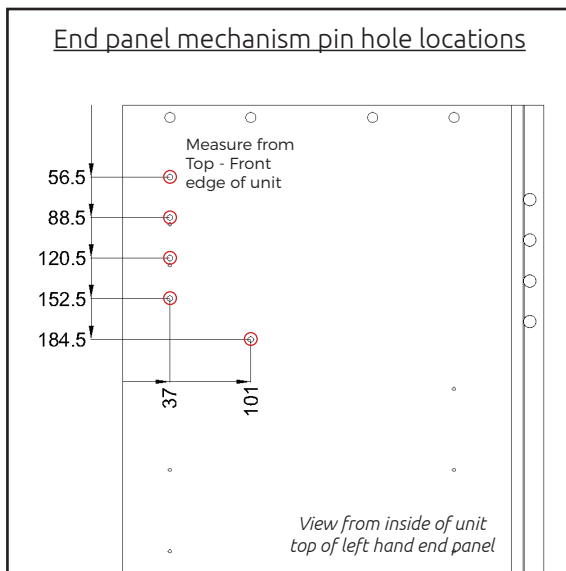


# FRONTALS

## 575 Lift Mechanism Replacement Frontal Guide

### Step 1.

Line up and insert the mechanism pins into holes provided.

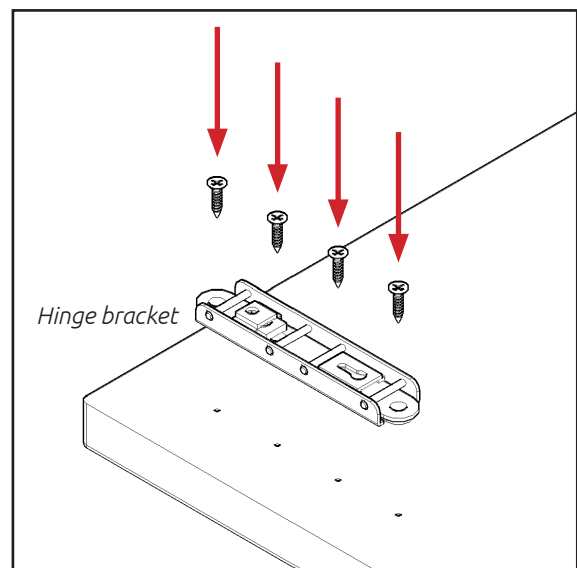
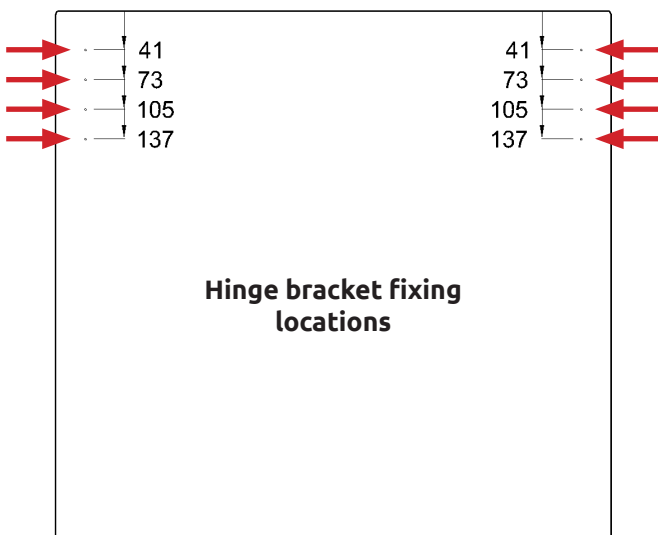


### Step 2.

Tighten 3 x screws on each lift hinge into the unit. These are already positioned within the mechanism.

### Step 3.

Screw the provided 4 x 15mm screws into each hinge bracket as shown.

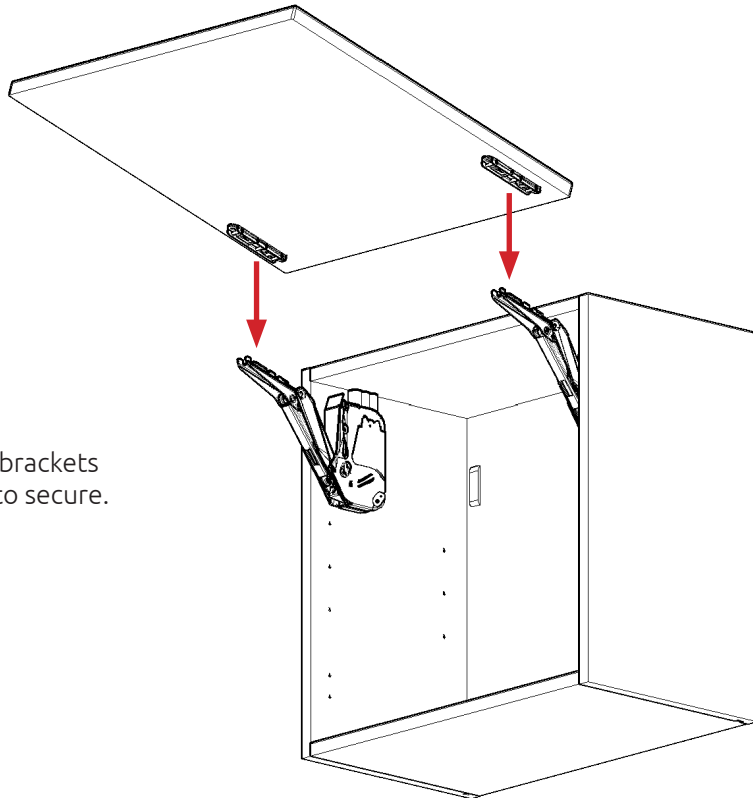


# FRONTALS

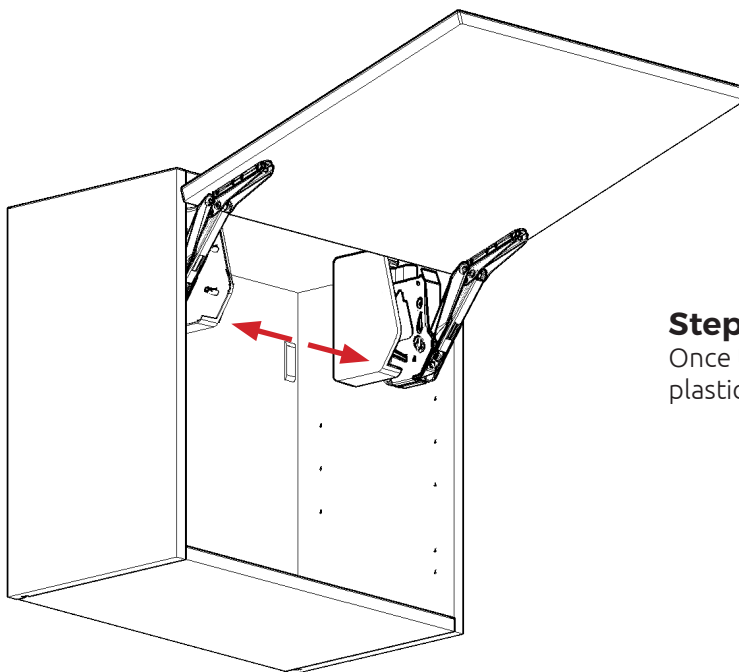
## 575 Lift Mechanism Replacement Frontal Guide

### Step 4.

Attach the frontals to unit, clip hinge brackets onto hinge mechanism arm and click to secure.



Please refer to **lift hinge instructions** provided or visit website: [hafele.com/external/free](http://hafele.com/external/free) for further frontal adjustment information if required



### Step 5.

Once the frontal has been adjusted, place plastic covers over the lift hinges.