

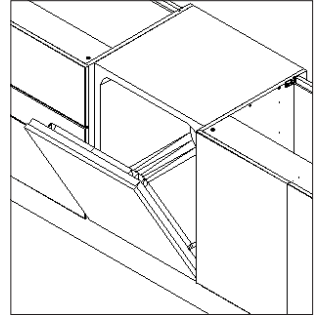
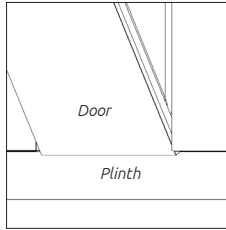
# ACCESSORIES

## Panel Edging Kit

### Dishwasher Plinth Edgework

#### Step 1.

Fit plinth following standard procedure.

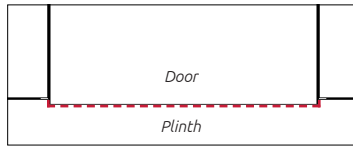


#### Step 2.

Open dishwasher door slightly until the rear of the door touches the plinth.

#### Step 3.

Mark a line along the front of the plinth, that is the full length of the dishwasher door. Ensure that the line is level to the front. (Be careful not to mark the dishwasher door)

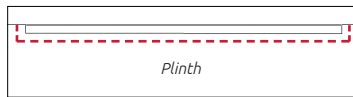


#### Step 4.

Draw perpendicular lines connecting the ends of the previously drawn line and the top edge of the plinth.

#### Step 5.

Offset lines 5mm outwards to enlarge the previously drawn section on the plinth.

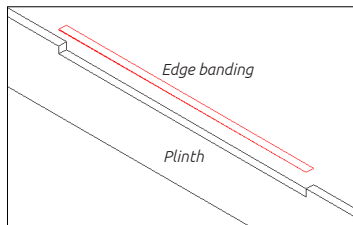


#### Step 6.

Cut out the larger marked region, ensuring that the edges are flat and straight.

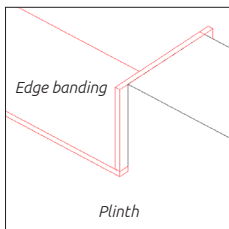
#### Step 7.

Cut a length of edge banding to fit the longest exposed surface of the cut out section and glue into place; allowing a slight overhang on both sides of the plinth to ensure full coverage.



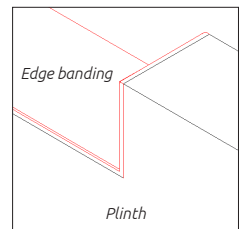
#### Step 8.

Repeat previous step for the smaller exposed faces of the cut out area.



#### Step 9.

Using a scraper, remove excess edge banding from front and rear of the plinth, and apply a small bevel to remove sharp edges. (Be careful not to damage the plinth)



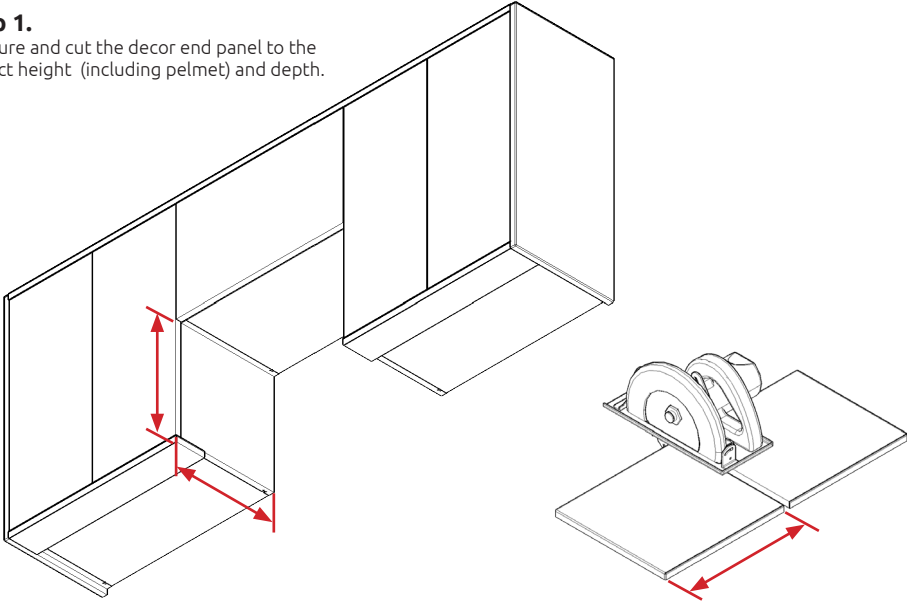
# ACCESSORIES

## Panel Edging Kit

### Split Decor Edgebanding

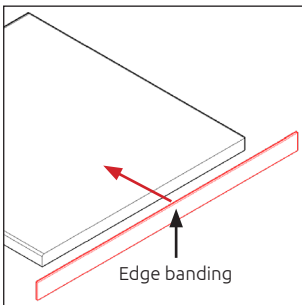
#### **Step 1.**

Measure and cut the decor end panel to the correct height (including pelmet) and depth.



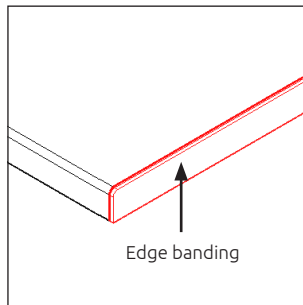
#### **Step 2.**

Glue edge banding into place on the raw edge, allowing a slight overhang on both sides of the decor end panel to ensure full coverage.



#### **Step 3.**

Carefully remove excess edge banding using a scraper and apply a small bevel to remove sharp edges. (Be careful not to damage the decor end panel).



#### **Step 4.**

Attach decor end panel to the unit. Secure in place using 4x30mm screws from inside of unit.

