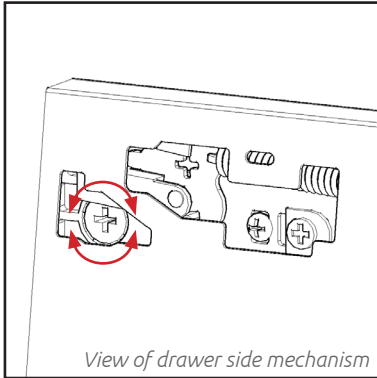
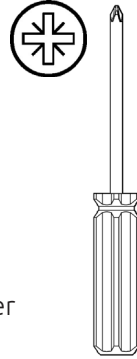


# DRAWER ADJUSTMENT

## TM Drawer Frontal Adjustment Guide



**Tools required:**  
Cross head screwdriver

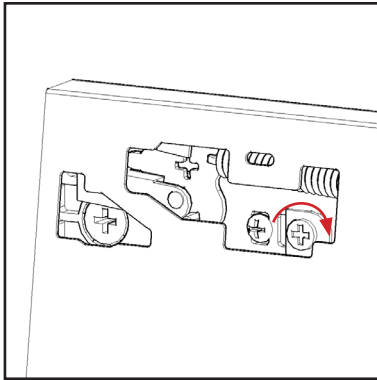


Drawer frontal adjustment is the same process for standard, mid, deep and glass drawers

Drawer adjustments to be done on both sides

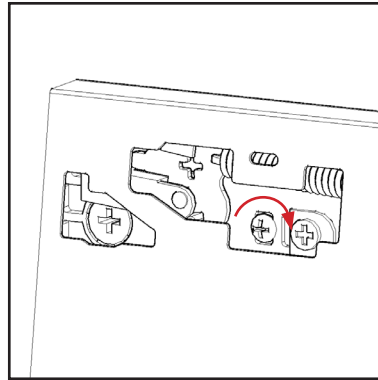
### Left & Right Adjustment

Turn screw shown to **adjust** drawer frontal **left & right**.



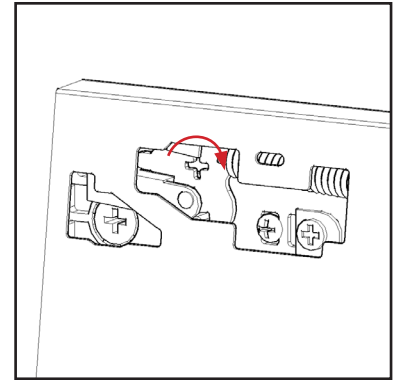
### Up & Down Adjustment

Turn screw shown to **adjust** drawer frontal **up & down**.



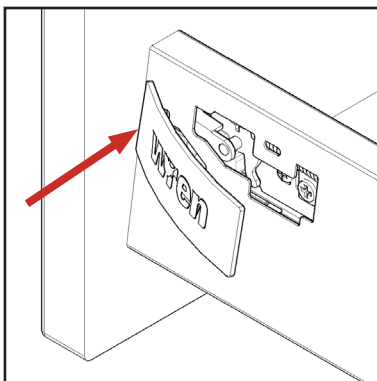
### Lock Position

Tighten screw shown to lock in position.



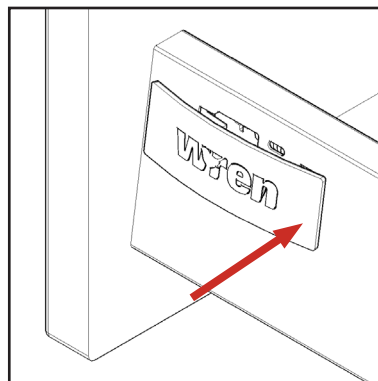
### Remove Frontal

To remove the frontal, **release** the fixing clip by turning the locking plate screw shown.



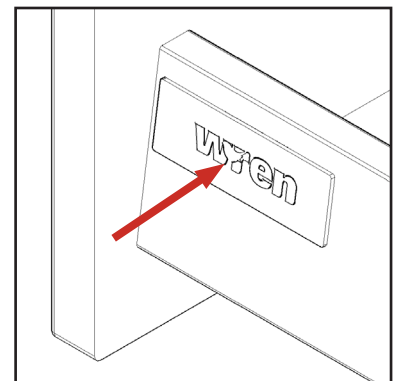
### Step 1

Fit drawer cover caps over drawer side adjustment. Position the edge closest to the frontal first.



### Step 2

Position the far side edge into place.



### Step 3

Press the cover cap against the drawer side to secure it in place. Repeat on the opposite side.

