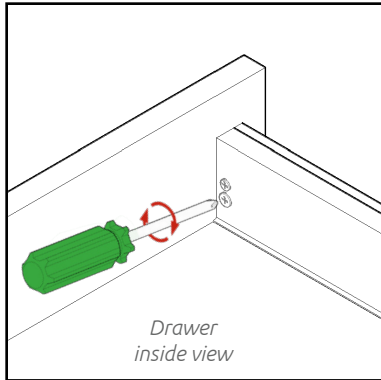


DRAWER ADJUSTMENT

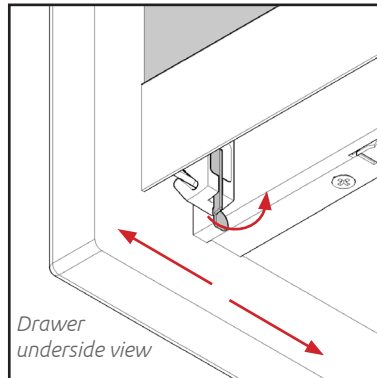
Grass Drawer Frontal Adjustment Guide

Grass Standard Drawer



Up & Down Adjustment.

Loosen top screw. Turn the bottom screw to adjust drawer frontal height, once in desired position re-tighten the top screw.

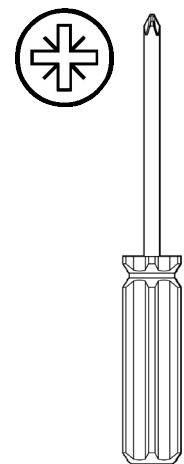


Left & Right Adjustment.

Press in the fixing clips half way, located at the bottom of the frontal on both sides of the drawer. Adjust the position of the drawer frontal, left or right. Release the frontal fixing clips on both sides of the drawer to secure the frontal in the new position.

Drawer adjustments to be done on both sides

Tools required:
Cross head screwdriver

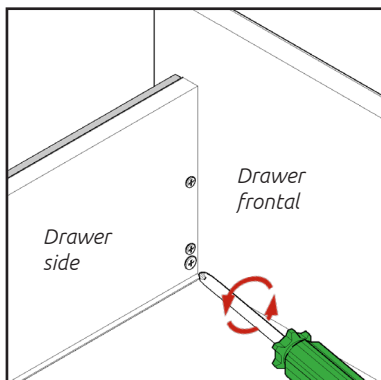


Fit Cover Caps

Fit drawer cover caps over drawer side adjustment screws.

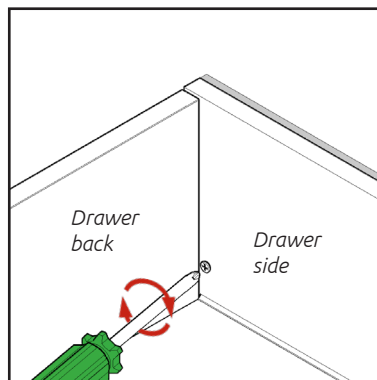


Grass Deep & Glass Drawer



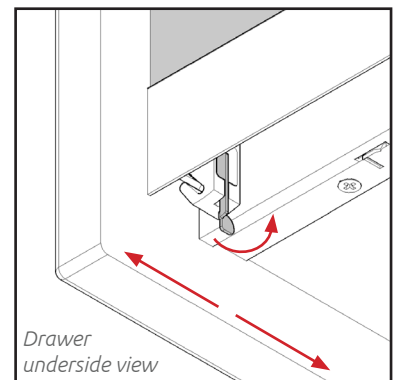
Up & Down Adjustment.

Loosen top two screws. Turn the bottom screw to adjust frontal height, once in desired position re-tighten the top screws.



Rear Elevation Adjustment.

Turn the screw at the back of the drawer to adjust rear elevation of the drawer.



Left & Right Adjustment.

Press in the fixing clips half way, located at the bottom of the frontal on both sides of the drawer. Adjust the position of the drawer frontal, left or right. Release the frontal fixing clips on both sides of the drawer to secure the frontal in the new position.

Fit Cover Caps.

Fit drawer cover caps over drawer side adjustment screws.

