

BASE UNIT

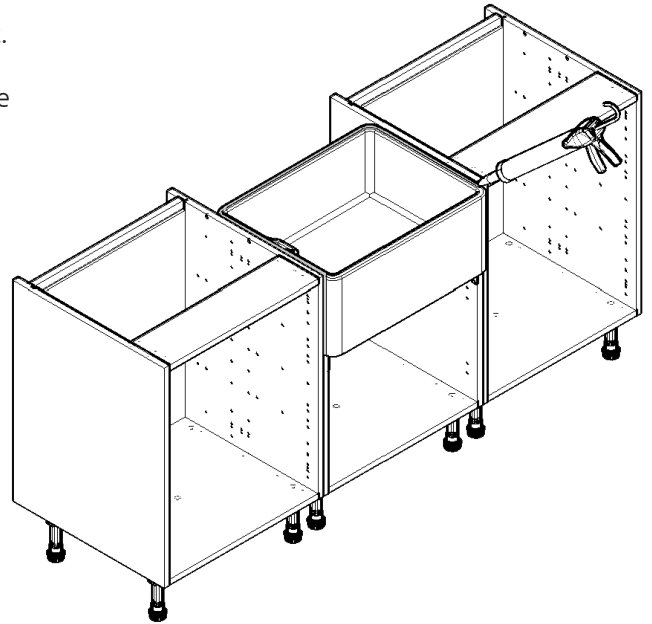
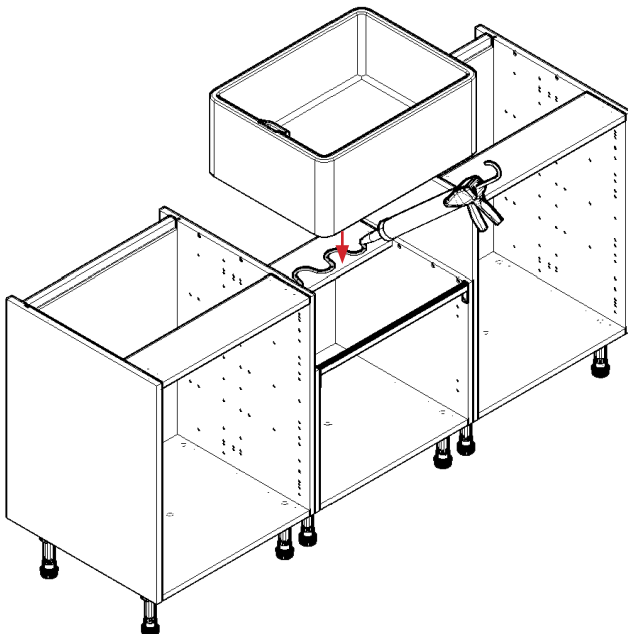
Belfast Sink Fitting Guide



This guide is for reference only. Always refer to the manufacturers instruction for full fitting guidelines.

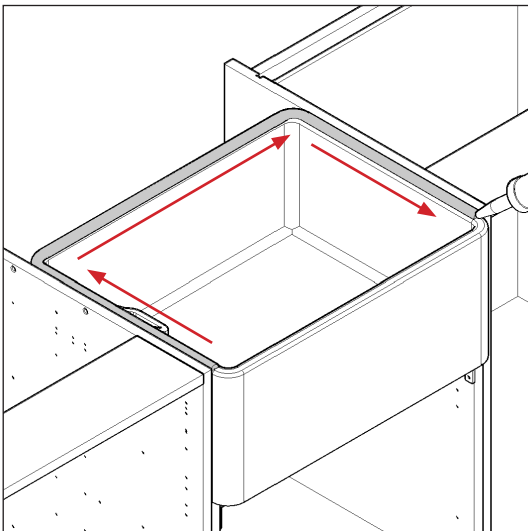
Step 1.

Apply silicone to the top of the rail and place the sink onto the unit. Pull the sink forward until the back of the corner radius is aligned with front of adjoining units. Make sure the sink is supported by the back rail and front metal rail.

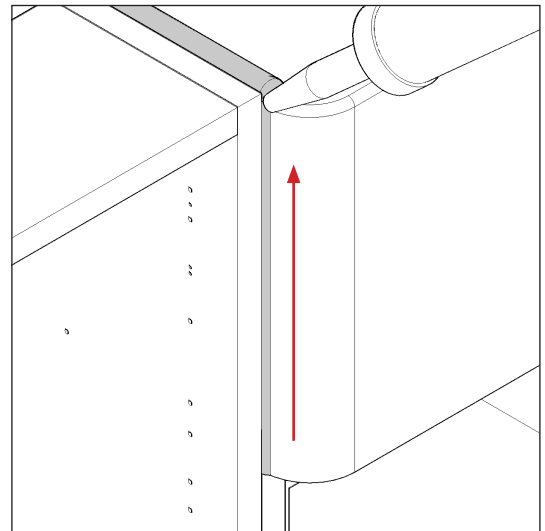


Step 2.

To protect the units against moisture, apply a generous amount of silicone on the rim of the sink at the back and sides before attaching the worktop, also apply silicone between the sides of the sink between sink and adjoining units at the front.



Silicone top of sink.



Silicone between sink and adjoining units.