

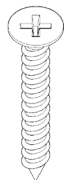


CHEST UNIT

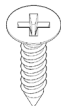
Chest Unit Fitting Guide

FI.PK.BED.222.001 - CHEST 1

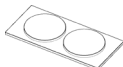
wren



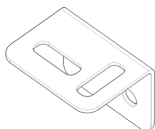
(K) x10
30mm
Screw



(L) x18
15mm
Screw



(N) x6
Door Buffer

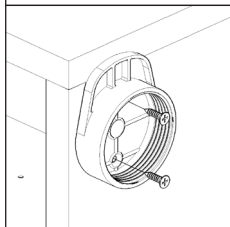


2 x L Bracket
LGE

300 - 600 Widths: 4 Legs
800 - 1000 Widths: 5 Legs

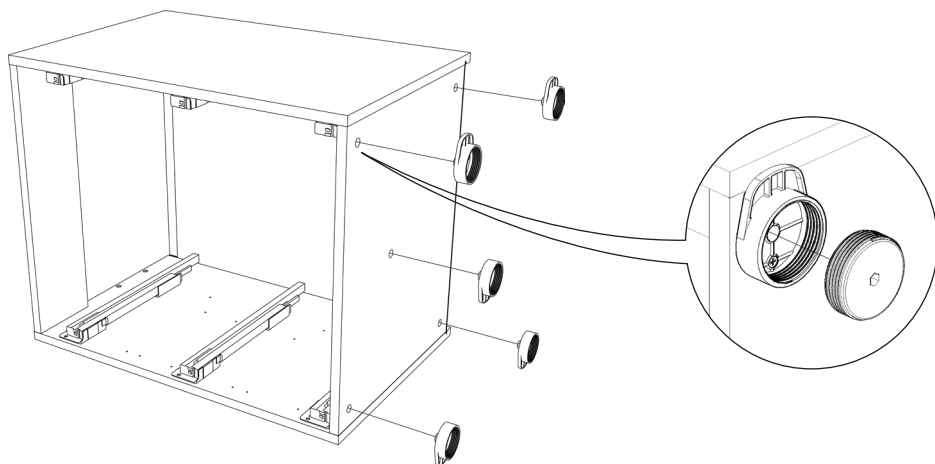


Screws and fixings for attaching to walls are not provided as these vary depending on materials, thickness and construction. Ensure appropriate fixings for wall construction are used.



Step1.

Remove the drawers from the unit and put to one side, lift the chest and place it on its side. Secure each of the legs in place with 2 x 15mm screws (**L**) per leg. Ensure legs are rotated as shown so the tab is supporting the end panel. Attach bottom section of legs and set all legs to the same height.

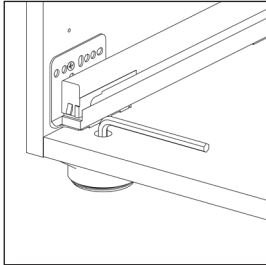


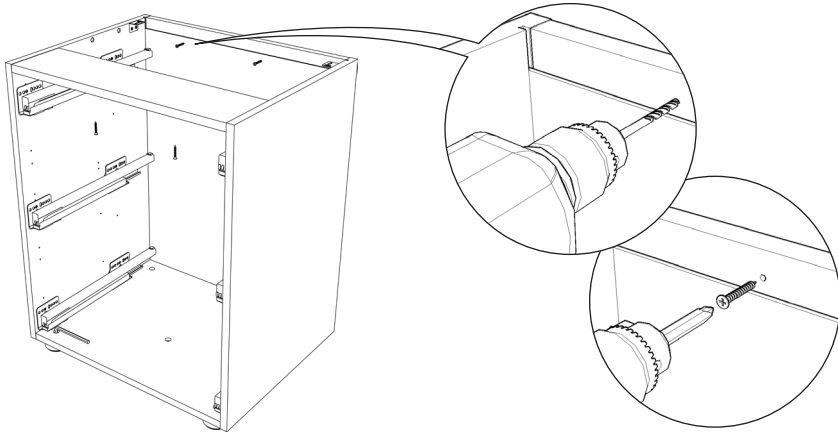
CHEST UNIT

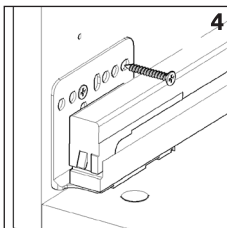
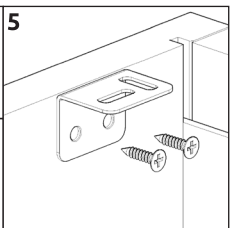
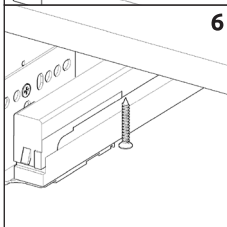
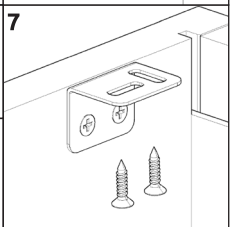
wren

Chest Unit Fitting Guide

FI.PK.BED.222.001 - CHEST 1

	Step2. Position the unit and level using an 8mm hex key from inside the unit.
	Step3. Drill a pilot hole(s) through the back rail into the wall. Screw through the rail and into the wall to secure the unit. 300-600 width chests require 1 fixing point. 800-1000 width chests require 2 fixing points. These screws and wall fixings are not provided.



	4 Step4. Screw into any side units using the 30mm screws (K) provided, through a spare runner hole to secure to the unit.	
	5	
	6 Step5. Use 2 x 15mm screws (L) to secure each of the L bracket LGE to the top, rear of the unit on either side.	
	7	
	Step6. Screw up through the front rail into the worktop using 2 x 30mm screws (K) provided to secure it in place.	
	Step7. Screw up through the L brackets LGE and into the worktop using 2 x 15mm screws (L) per L bracket LGE.	