

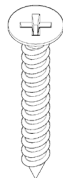
CHEST UNIT

wren

Chest Unit Fitting Guide - FI.PK.BED.222.001

Height: 595 - 1172

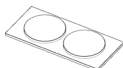
Width: 400 -1000



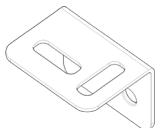
(K) x10
30mm
Screw



(L) x18
15mm
Screw



(N) x6
Door Buffer

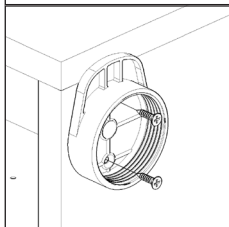


2 x L Bracket
LGE

400 - 500 Widths: 4 Legs
600 - 1000 Widths: 5 Legs

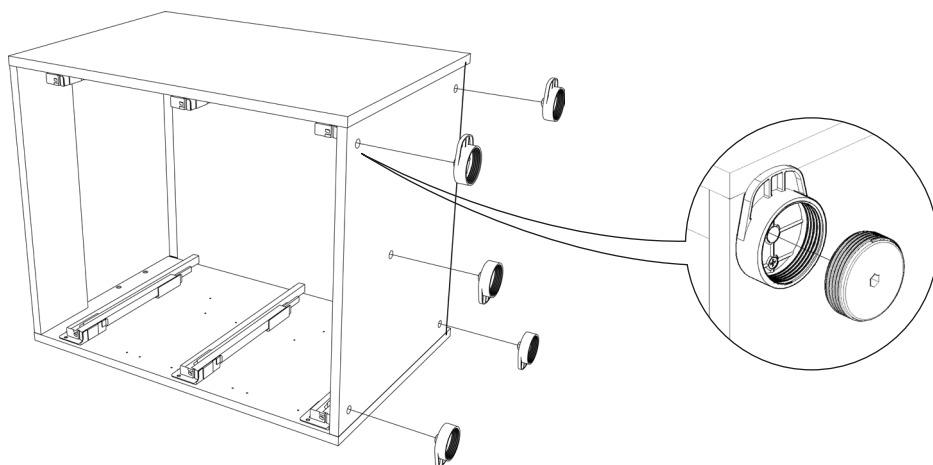


Screws and fixings for attaching to walls are not provided as these vary depending on materials, thickness and construction. Ensure appropriate fixings for wall construction are used.



Step1.

Remove the drawers from the unit and put to one side, lift the chest and place it on its side. Secure each of the legs in place with 2 x 15mm screws (**L**) per leg. Ensure legs are rotated as shown so the tab is supporting the end panel. Attach bottom section of legs and set all legs to the same height.



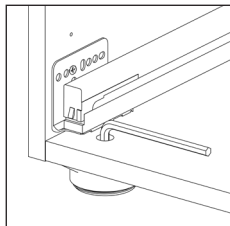
CHEST UNIT

wren

Chest Unit Fitting Guide - FI.PK.BED.222.001

Height: 595 - 1172

Width: 400 -1000

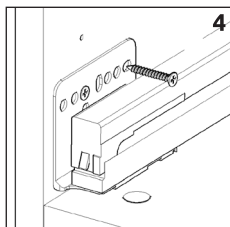
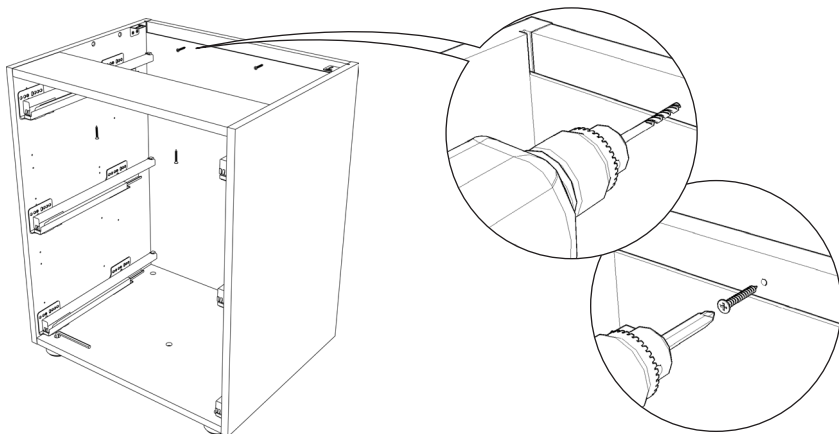


Step2.

Position the unit and level using an 8mm hex key from inside the unit.

Step3.

Drill pilot holes through the back rail into the wall.
Screw through the rail and into the wall to secure the unit.
These screws and wall fixings are not provided.



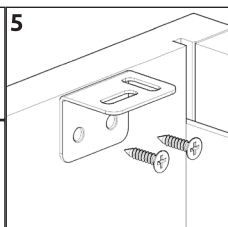
4

Step4.

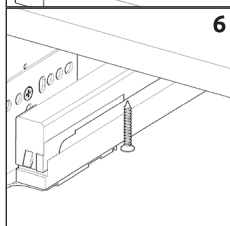
Screw into any side units using the 30mm screws (**K**) provided, through a spare runner hole to secure to the unit.

Step5.

Use 2 x 15mm screws (**L**) to secure each of the L bracket LGE to the top, rear of the unit on either side.



5



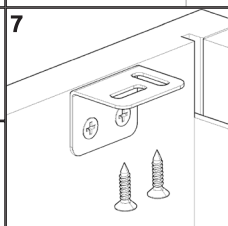
6

Step6.

Screw up through the front rail into the worktop using 2 x 30mm screws (**K**) provided to secure it in place.

Step7.

Screw up through the L brackets LGE and into the worktop using 2 x 15mm screws (**L**) per L bracket LGE.



7