

# WALL UNIT

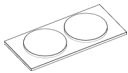
**wren**

## Top Box Unit Fitting Guide

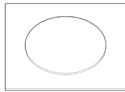
Height: 288 - 450

Width: 400 -1000

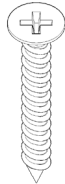
FI.PK.BED.222.005 - PEBBLE



(N) x2  
Door Buffer



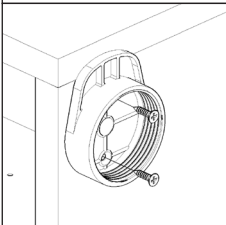
x8  
Stick On  
Cover Cap



(K) x8  
30mm Screw

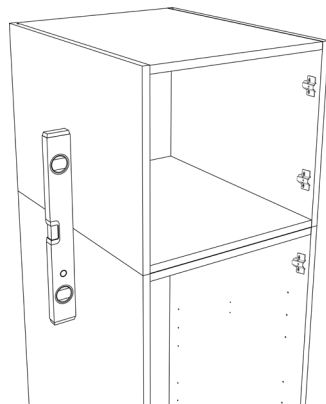
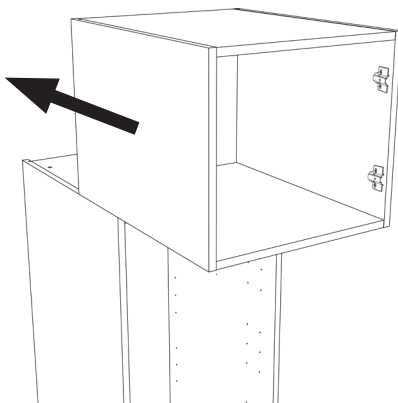


**Screws and fixings for attaching to walls are not provided as these vary depending on materials, thickness and construction. Ensure appropriate fixings for wall construction are used.**



### Step1.

Ensure the robe unit is level, positioned correctly and fully secured before installing top box. Position the top box on top of the robe unit. Level the top box with the robe so the sides and front of both units are aligned and flush.



# WALL UNIT

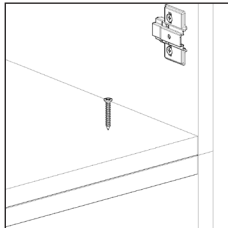
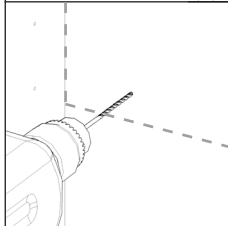
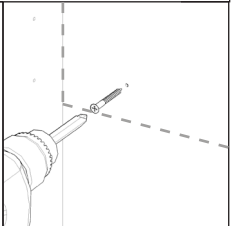
wren

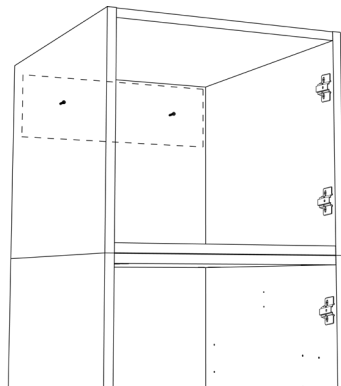
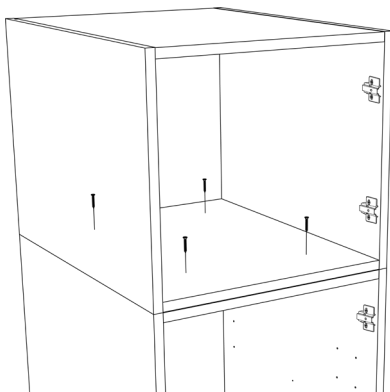
## Top Box Unit Fitting Guide

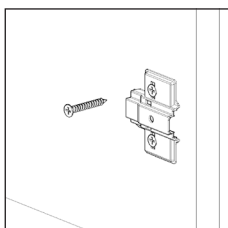
Height: 288 - 450

Width: 400 - 1000

FI.PK.BED.222.005 - PEBBLE

	<p><b>Step2.</b> Screw down through the top box bottom fixed shelf into the robe top fixed shelf using 4 x 30mm screws (<b>K</b>). Position 2 screws at the front and 2 screws at the rear of the unit.</p>
	<p><b>Step3.</b> Drill pilot holes through back panel and rail into the wall. Secure the top box to the wall by screwing through the pilot holes into the wall. Place stick on cover caps on the heads to conceal them. <b>These screws and wall fixings are not provided.</b></p> 



	<p><b>Step4.</b> Screw into any adjacent units using 30mm screws (<b>K</b>) provided to secure the unit. Screw just to the rear of the hinge plate at the top and bottom on both sides. Place stick on cover caps on the heads to conceal them.</p>
--	---