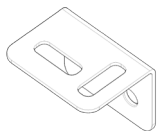


CHEST UNIT

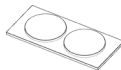
Chest Unit Fitting Guide

CHEST 2 - FI.PK.BED.222.013

wren



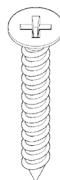
2 x L Bracket
LGE



(N) x4
Door Buffer



(L) x8
15mm
Screw



(K) x2
30mm
Screw

Step1.

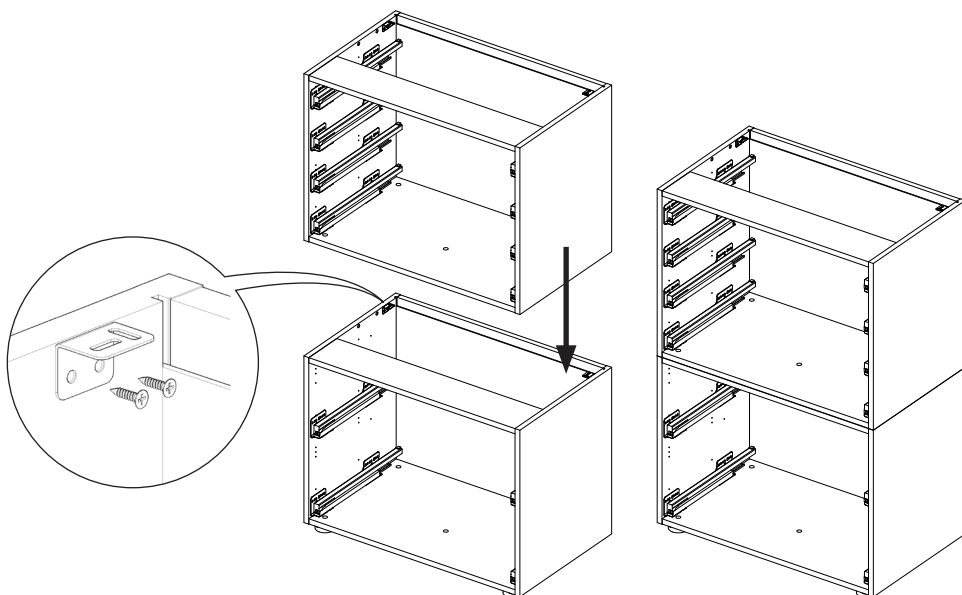
Remove the drawers from the chests and put to one side.
Install the bottom chest using the fitting pack provided. Ensure the chest is positioned correctly, level and secure.

Step2.

Use 2 x 15mm screws (L) to secure each of the L bracket LGE to the top, rear of the bottom chest on either side.

Step3.

Carefully lift the top chest and position it on top of the bottom chest, ensure the front and sides are aligned with each other.



CHEST UNIT

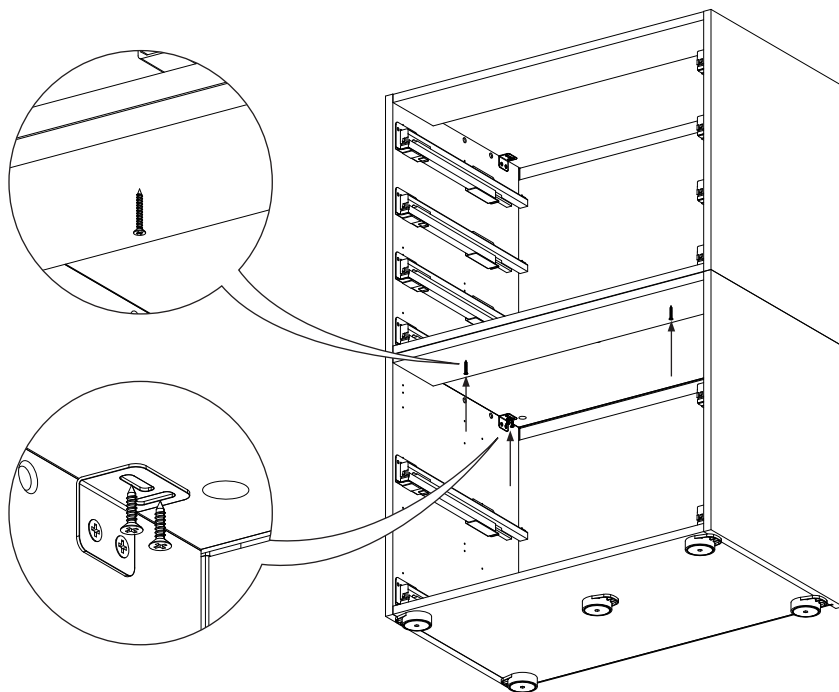
wren

Chest Unit Fitting Guide

CHEST 2 - FI.PK.BED.222.013

Step4.

Secure the two chests together by screwing up through the rail of the bottom chest into the fixed shelf of the top chest using 2 x 30mm screws (**K**) and by screwing up through each of the L brackets using 2 x 15mm screws (**L**) per L bracket.



Screws and fixings for attaching to walls are not provided as these vary depending on materials, thickness and construction. Ensure appropriate fixings for wall construction are used.

Step5.

Drill pilot holes through the top units back rail into the wall. Screw through the rail and into the wall to secure the unit.

These screws and wall fixings are not provided.