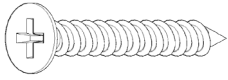


# ROBE UNIT

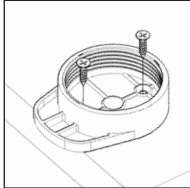
## Under Robe Fitting Guide

### UNDER ROBE 1 - FI.PK.BED.222.015

# wren



6 x 30mm Screw



#### Step 1.

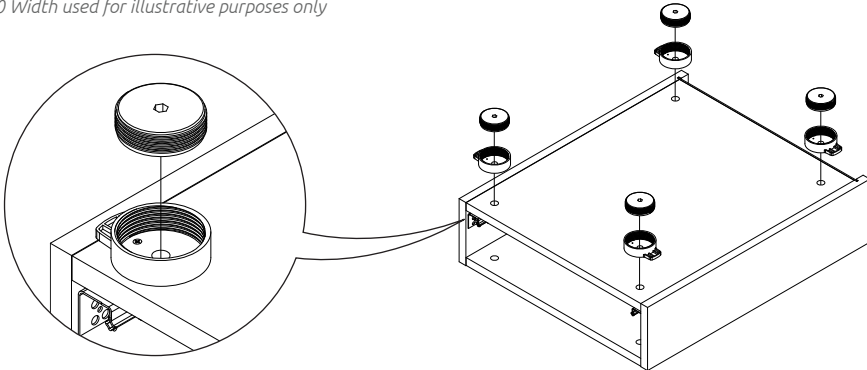
Position top section of legs as shown. Ensure legs are rotated to provide support to the end panels. Secure with 2 x 15mm screws per leg.

Attach bottom section of legs and set all legs to the same height.

**400 - 500 Widths: 4 Legs**

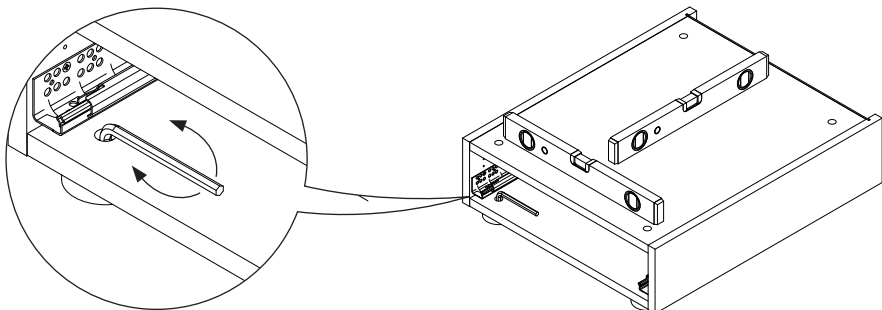
**800 - 1000 Widths: 5 Legs**

*500 Width used for illustrative purposes only*



#### Step 2.

Lift the unit upright. Once in situ level accordingly, using an 8mm hex key from inside the unit.



# ROBE UNIT

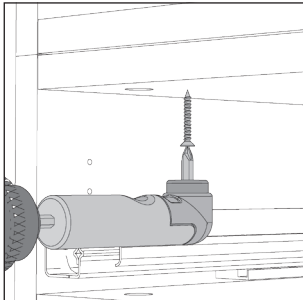
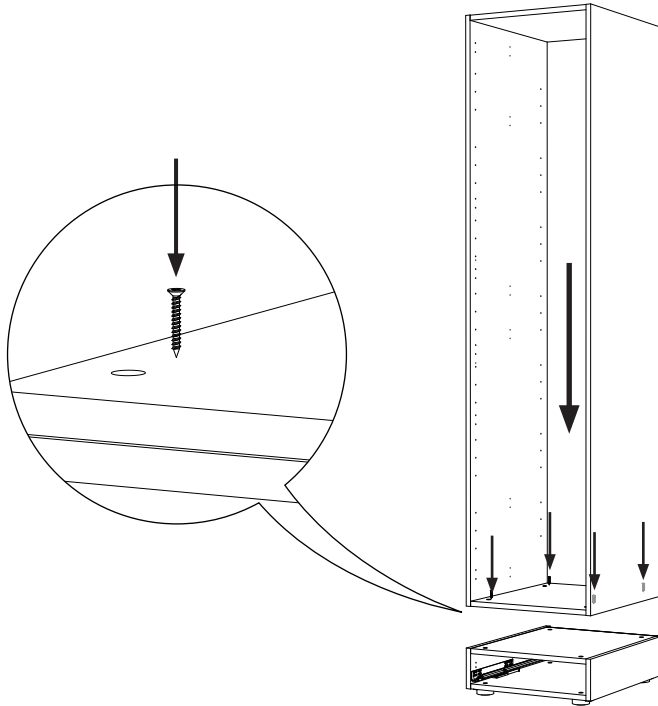
## Under Robe Fitting Guide

### UNDER ROBE 1 - FI.PK.BED.222.015

# wren

#### Step 3.

Position the robe on top of the under robe, ensure the front and sides are aligned with each other. Using the 30mm screws provided, screw down through the robe bottom fixed shelf into the under robe top fixed shelf to secure the units together. Cover screw heads with cover stickers provided to conceal them.



#### Alternative front screw location.

Using an angled drill attachment, the front screws only, can be secured from the underside by screwing up through the top fixed shelf of the under robe into the bottom fixed shelf of the robe unit.