

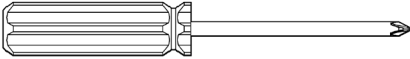
DRAWER BOX

ADJUSTMENT, REMOVAL

INFINITY

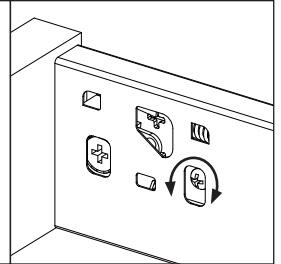
wren

Tools required:
Cross head screwdriver



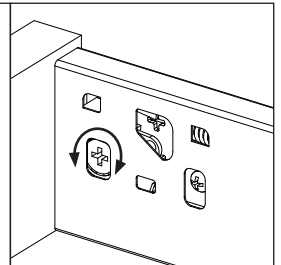
Up & Down Adjustment.

Turn screw shown to adjust drawer frontal **up & down**.



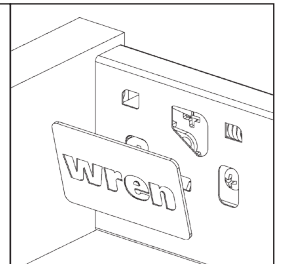
Left & Right Adjustment.

Turn screw shown to adjust drawer frontal **left & right**.



Fit Cover Caps.

Fit drawer cover caps over drawer side adjustment. Position the edge closest to the frontal first. Position the far side edge into place. Press the cover cap against the drawer side to secure it in place. Repeat on the opposite side.



DRAWER BOX

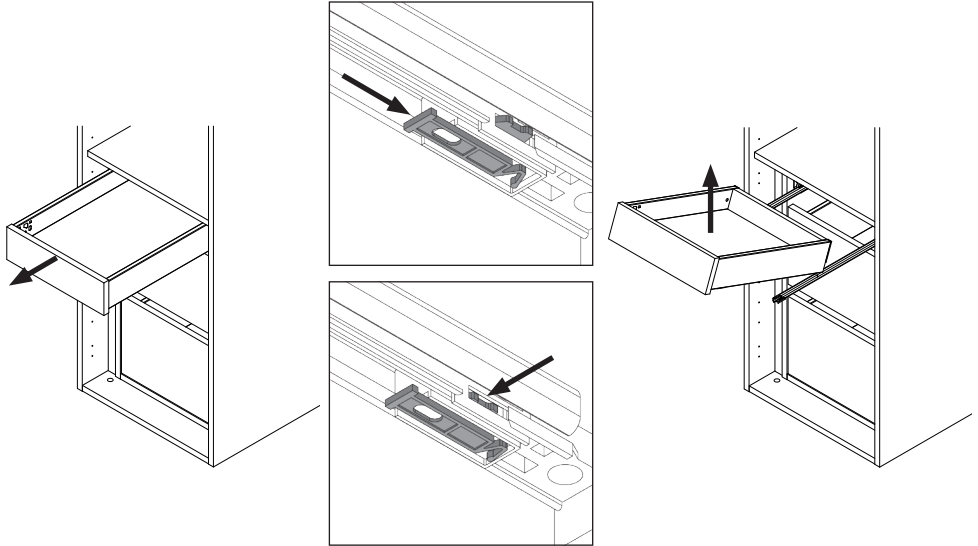
ADJUSTMENT, REMOVAL

INFINITY

wren

Step 1.

Open the drawer that is required to be removed. Pull out the drawer until the runners are at full extension. Press the locking mechanism to release the drawer from the runner and lift the drawer away from the runners.



Step 2.

Fully extend the drawer runners out of the unit. Place the drawer onto the runners, making sure that the groove of the drawer sides and the runner mechanism are aligned. Once the drawer is placed onto the runners, push the drawer back into the unit until a click is heard. Once the click is heard the drawer is properly located and secured to the runner.

