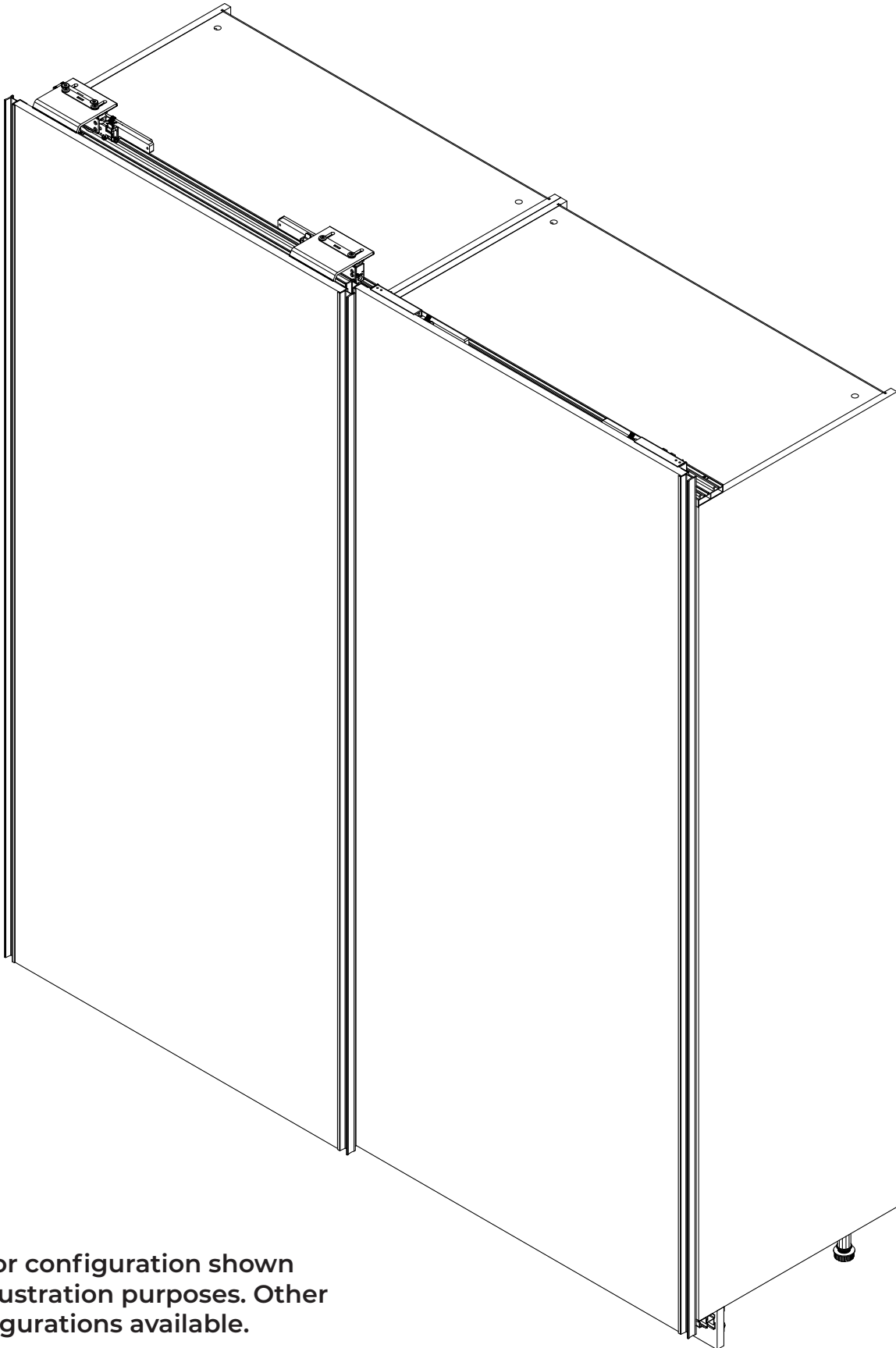


ROBE UNIT

Sliding Robe Construction Guide

wren



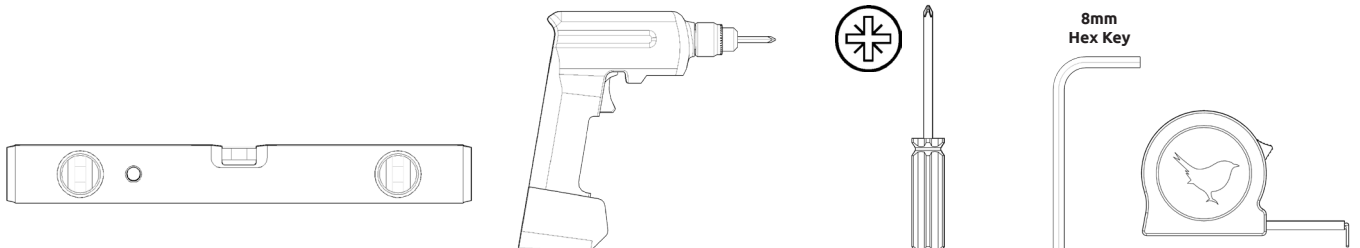
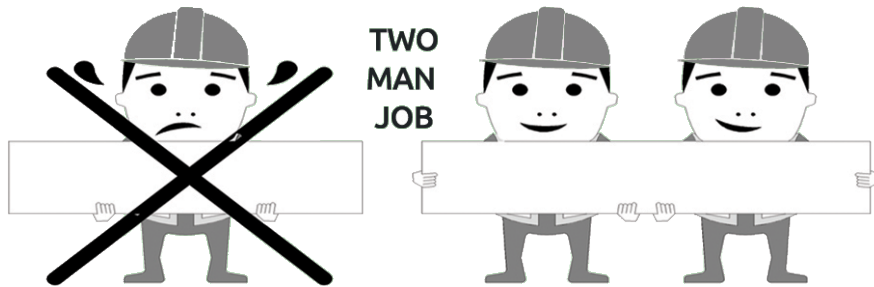
2 Door configuration shown
for illustration purposes. Other
configurations available.



BEFORE YOU START

INSTALLATION SHOULD BE PERFORMED BY A COMPETENT PERSON ONLY.

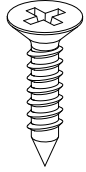
THIS PRODUCT COULD BE DANGEROUS IF INCORRECTLY INSTALLED



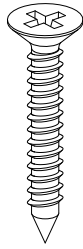
ROBE UNIT

Sliding Robe Construction Guide

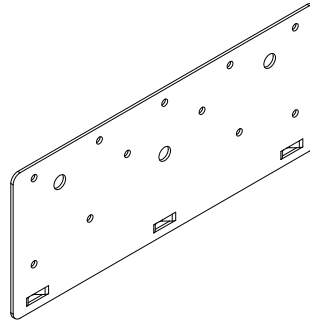
wren



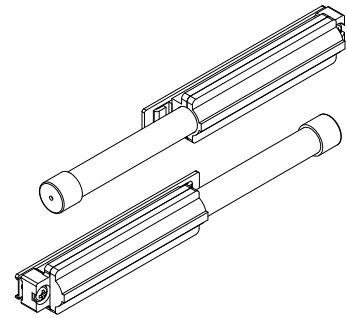
15mm Screws
(20 Per Door supplied
with mechanisms)



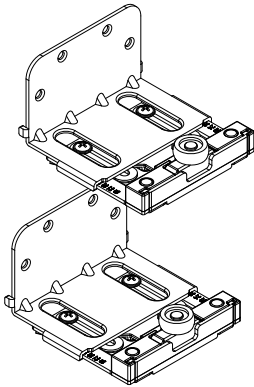
4.0 x 30mm Screws
(x 16)



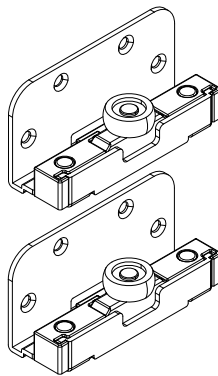
Drilling Position
Template
(x 1)



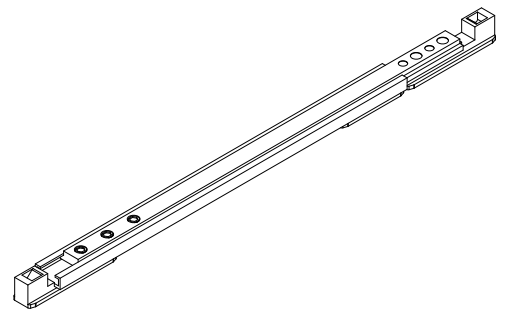
Damper Stoppers
2 x Per Door



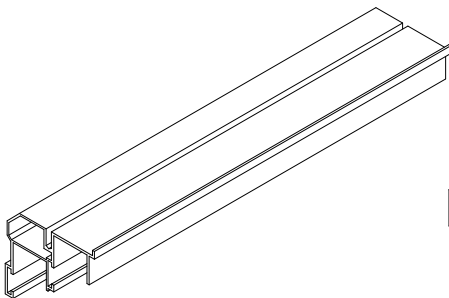
Bottom Roller (Outside)
1 x LH / 1 x RH
Per Door



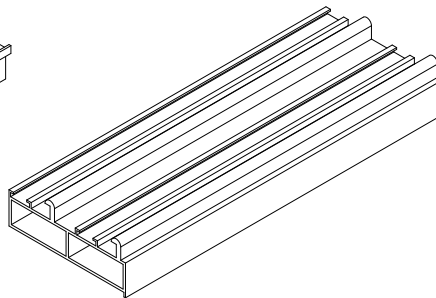
Bottom Roller (Inside)
1 x LH / 1 x RH
Per Door



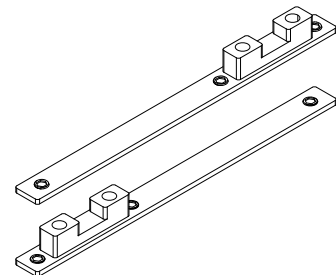
Top MID Track Damper
Stoppers
1 x Per 3 Door system



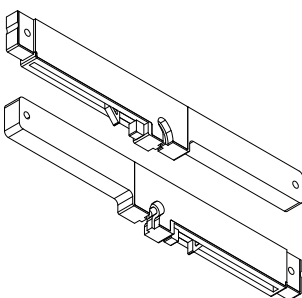
Bottom Track
(Quantity depends
on Customer Specific
Bedroom Plan)



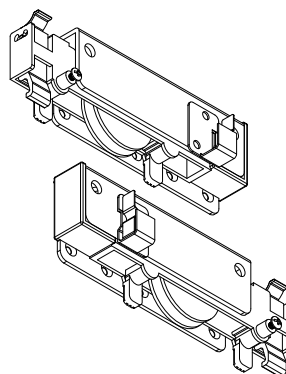
Top Track
(Quantity depends
on Customer Specific
Bedroom Plan)



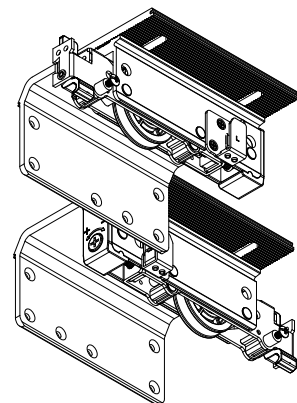
Top Track Damper
Stoppers
2 x Per Door



Up dampers
2 x Per Door



Top Roller (Inside)
1 x LH / 1 x RH - 2 Door System
2 x LH / 2 x RH - 3 Door System



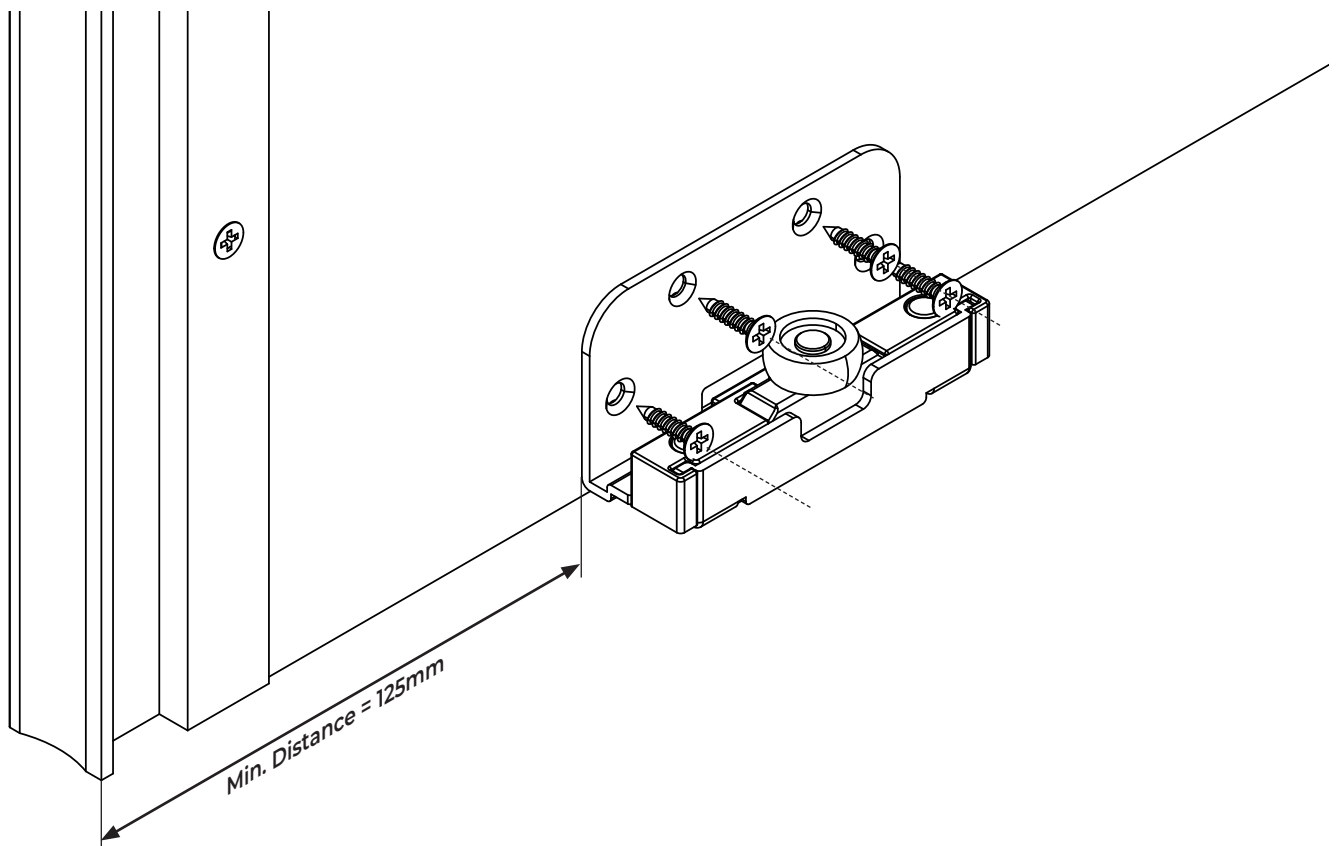
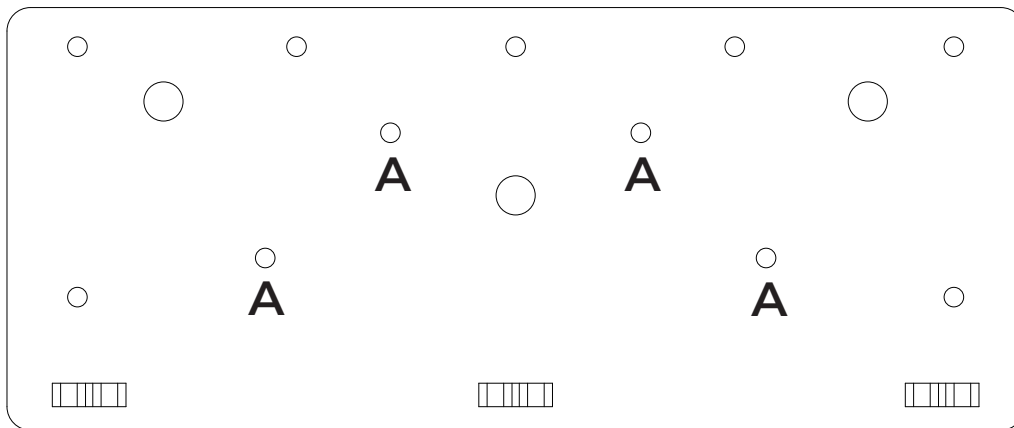
Top Roller (Outside)
1 x LH / 1 x RH

Step 1.

Complete the Robe Construction and secure to the wall following the 'Robe Unit Assembly Guide' provided with the robe units. Install the plinth provided following standard procedure.

Step 2.

Using the drilling template mark positions 'A' on the bottom inside face of the internal door. Min distance from the edge of door = 125mm



Step 3.

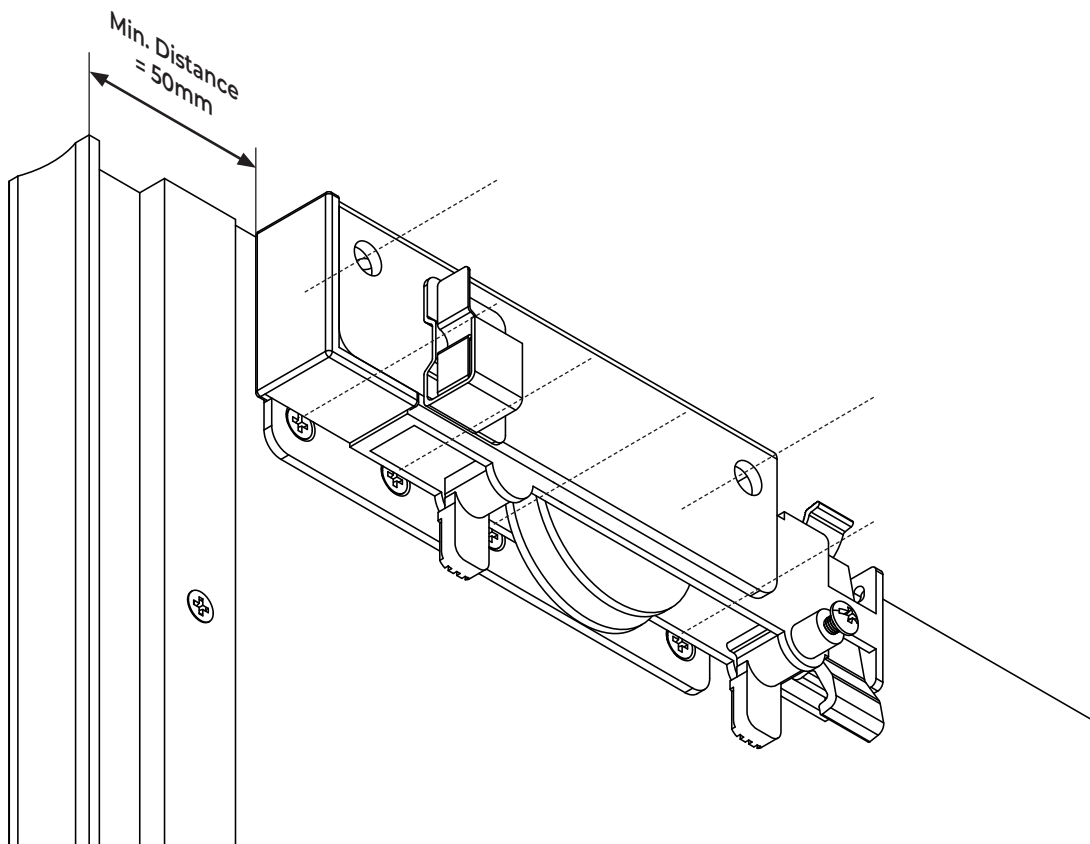
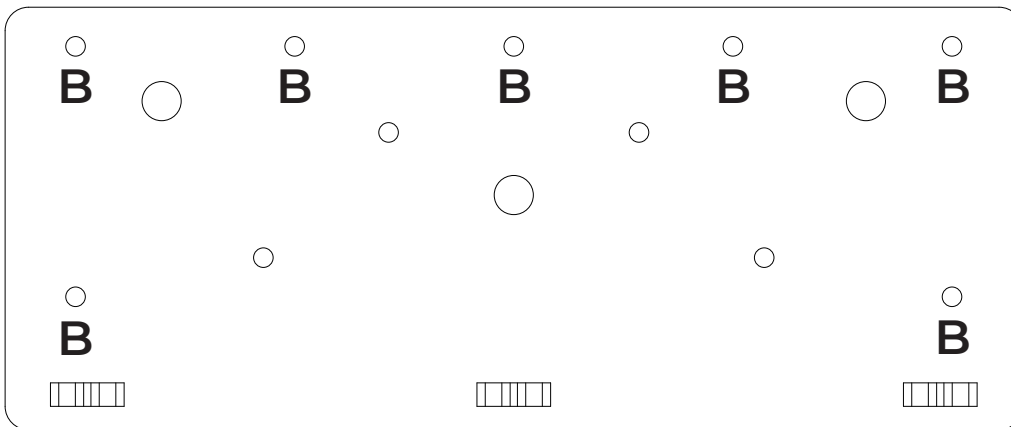
Using 4 x 15mm screws attach 'Bottom Roller' (Inside) to the door.

Step 4.

Repeat steps 2 + 3 for other side of the door.

Step 5.

Using drilling template, mark positions 'B' on the inside face on the top of the door. Min distance from the edge of the door = 50mm.

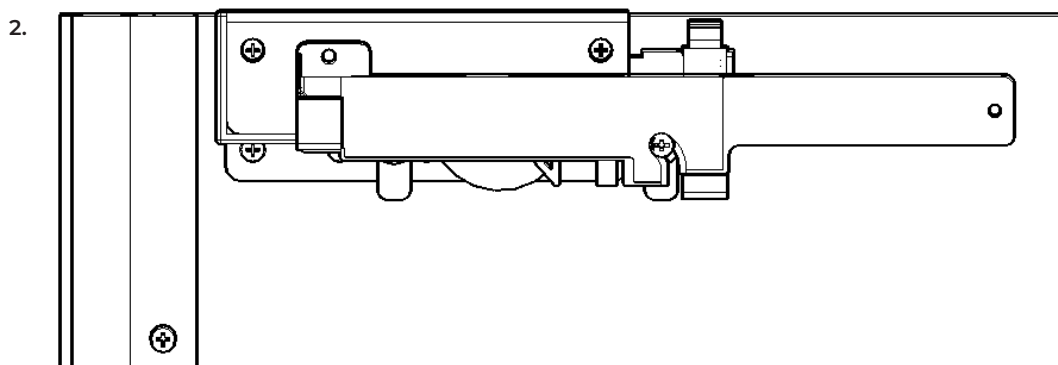
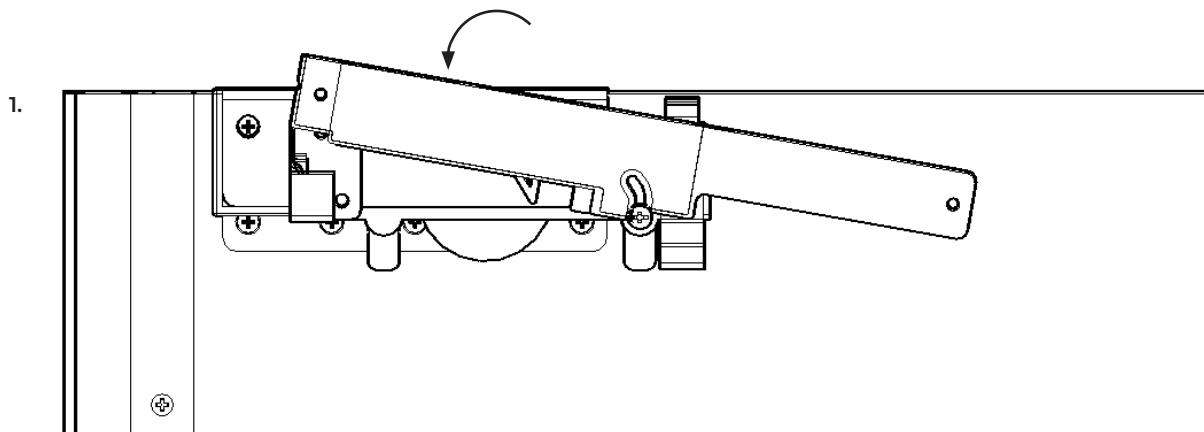
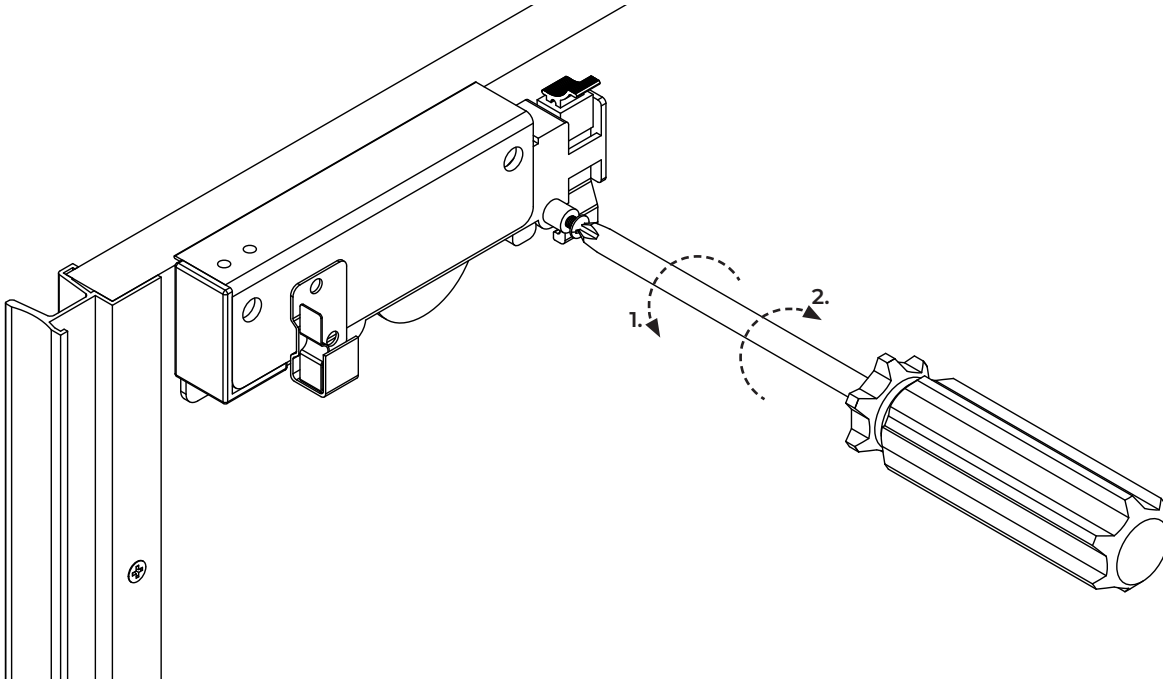


Step 6.

Using 6 x 15mm screws attach the 'Top Roller' (Inside) to the door.

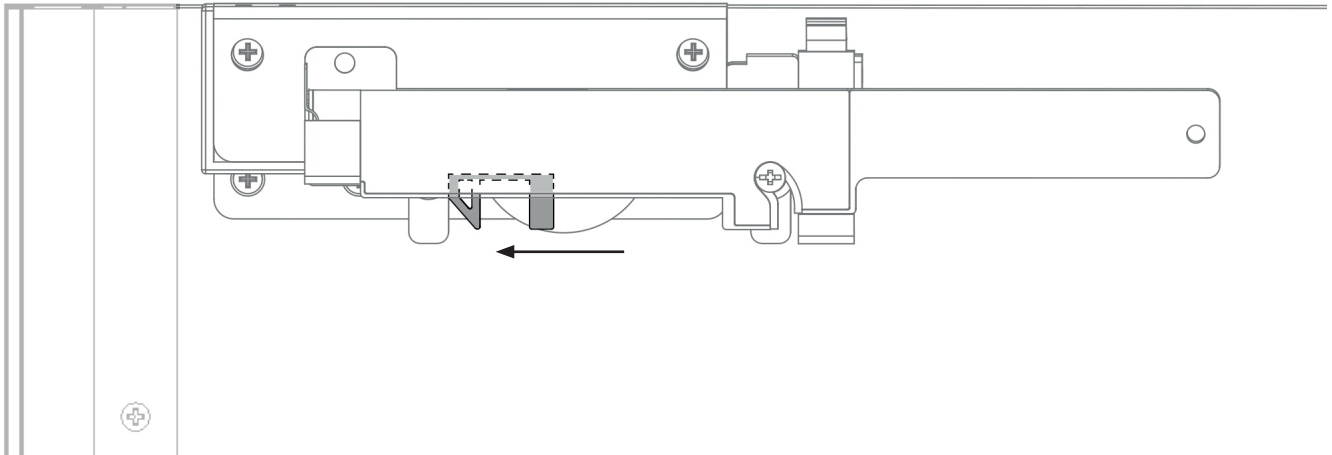
Step 7.

Loosen external screw and position 'up damper' in place. Once positioned, re-tighten the external screw.



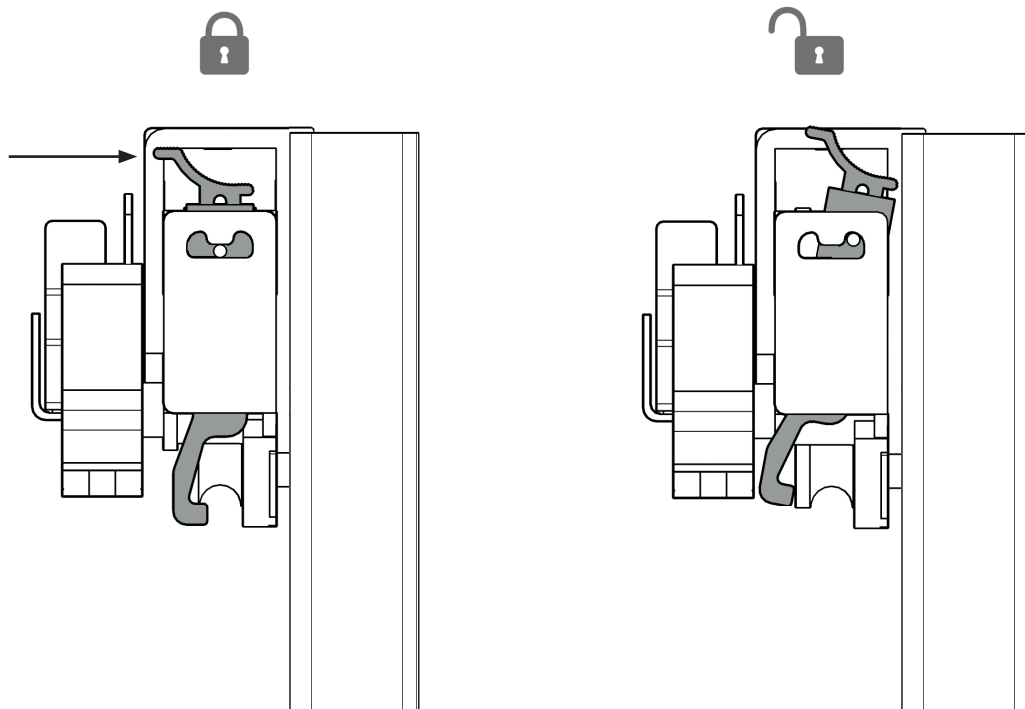
Step 8.

Slide activation stop to 'un-activated' position.



Step 9.

Press anti-jumping device lever to unlocked position.

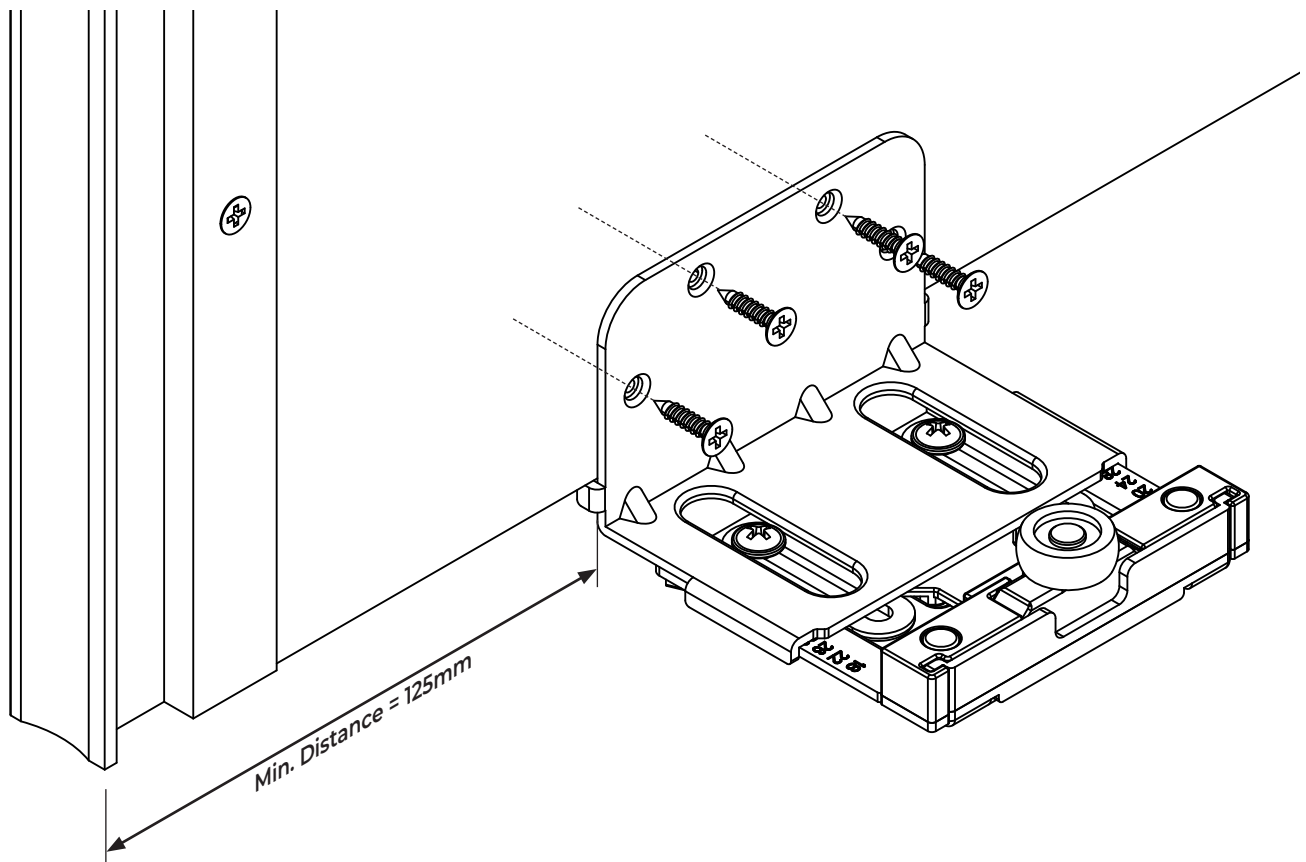
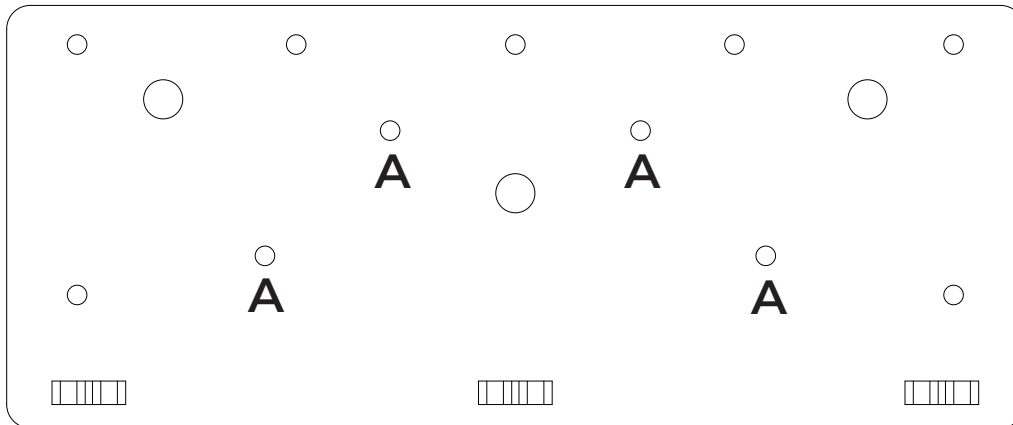


Step 10.

Repeat steps 5 - 9 for other side of the door.

Step 11.

Using the drilling template, mark positions 'A' on the bottom of the external door. Min distance from edge of door = 125mm.

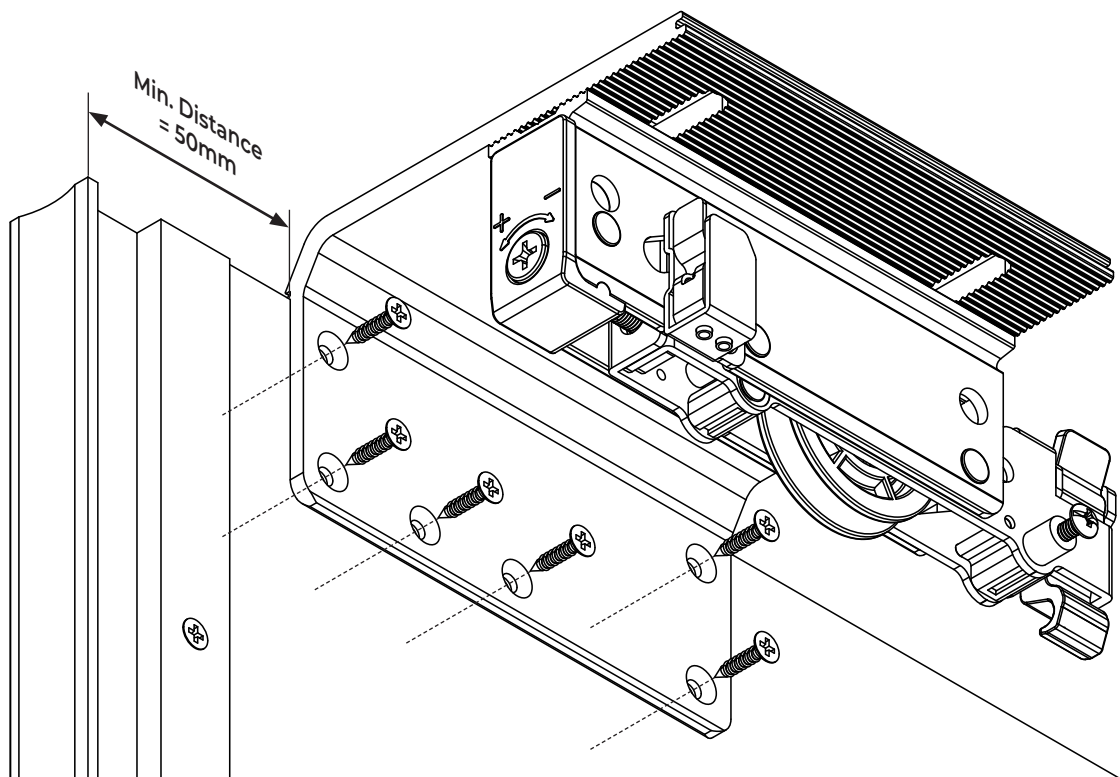
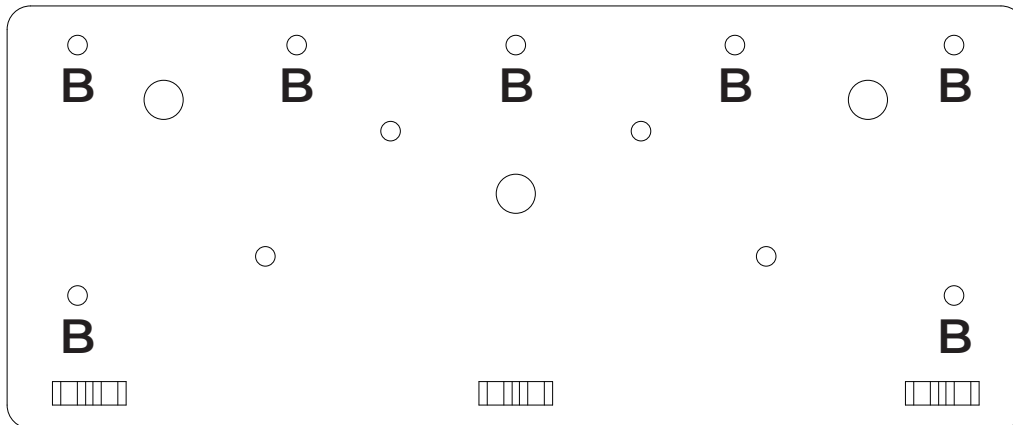


Step 12.

Using 4 x 15mm screws attach bottom roller to the door. (Outside roller configuration.)

Step 13.

Using drilling template, mark positions 'B' on inside face on the top of the door. Min distance from the edge of the door = 50mm.

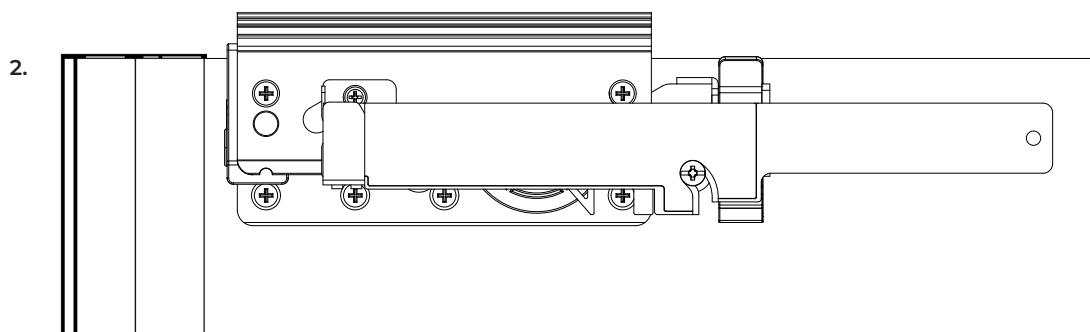
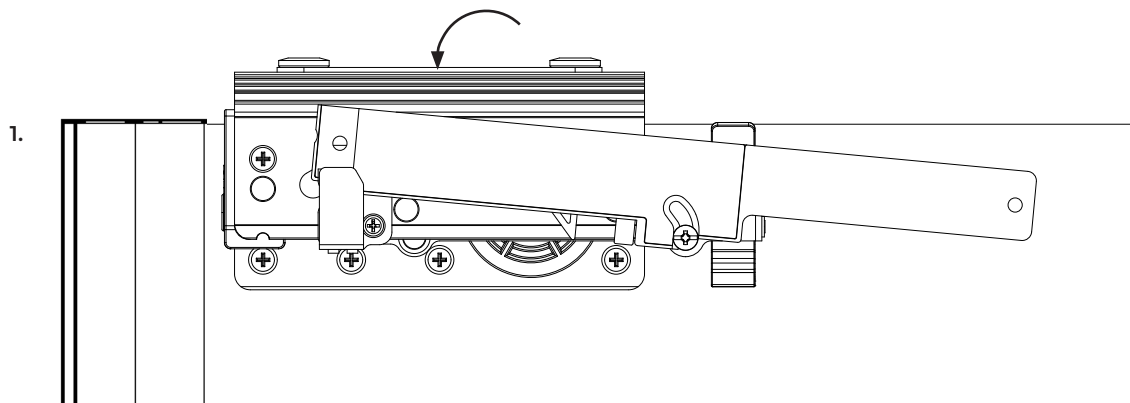
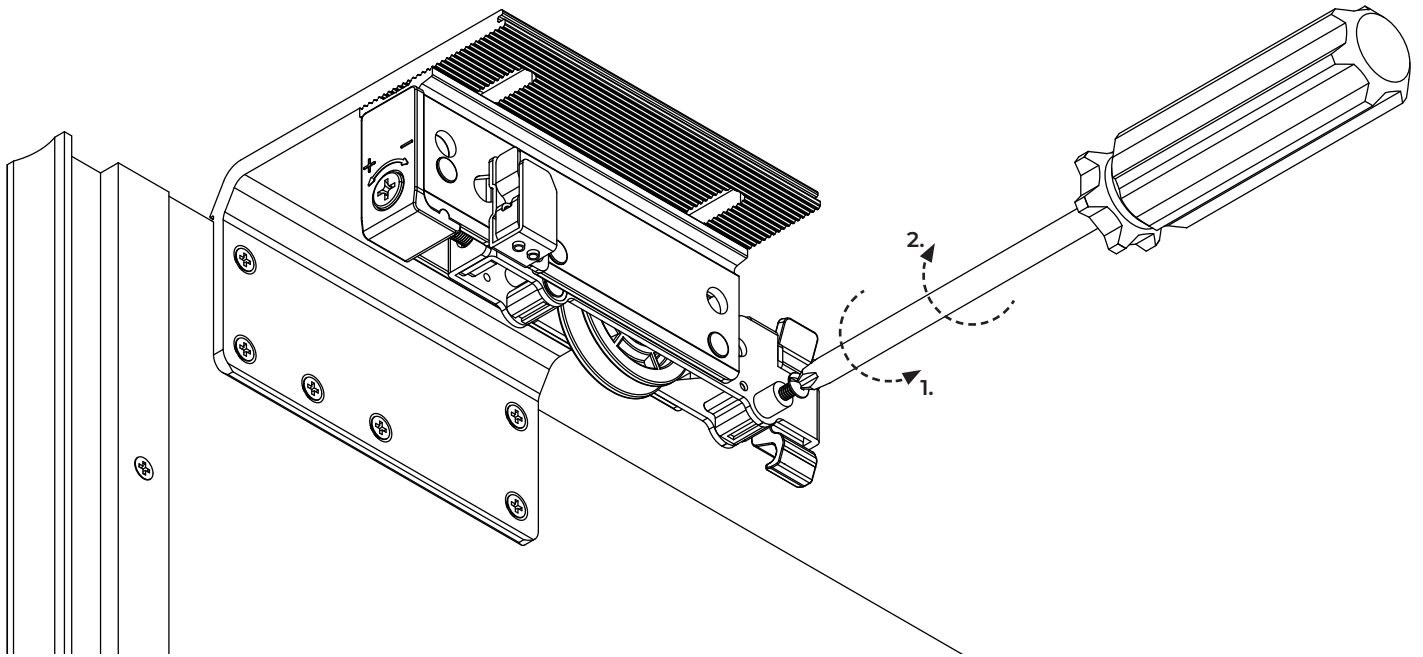


Step 14.

Using 6 x 15mm screws attach the top roller (Outside) to the door.

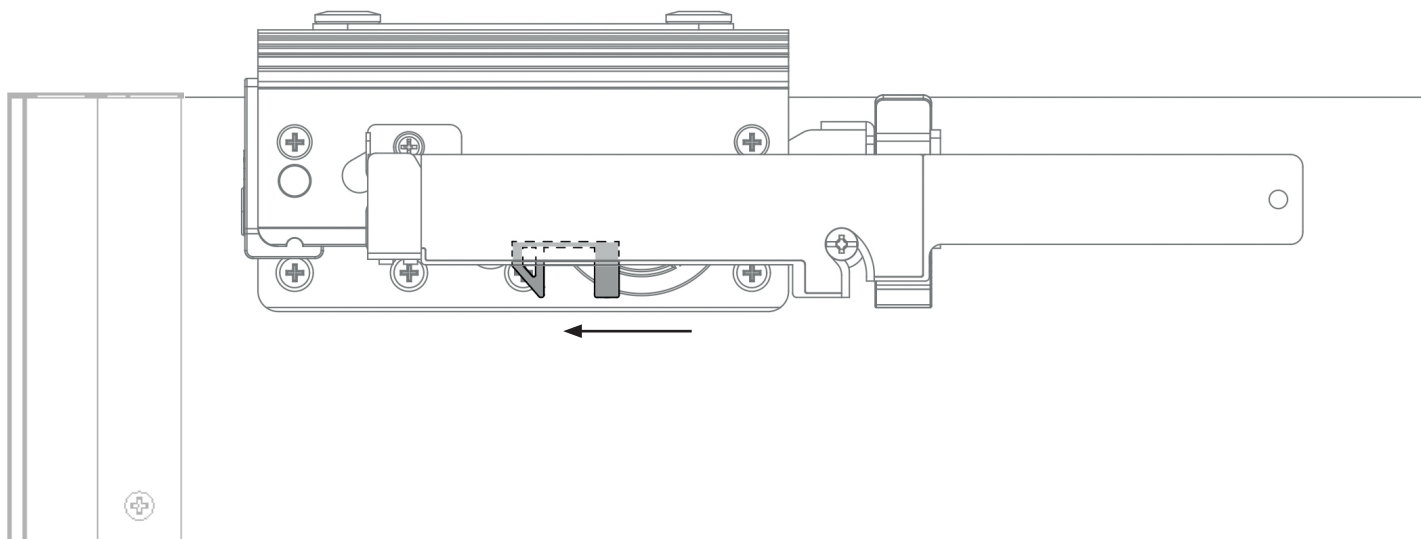
Step 15.

Loosen external screw and position 'up damper' in place. Once positioned re-tighten the external screw.



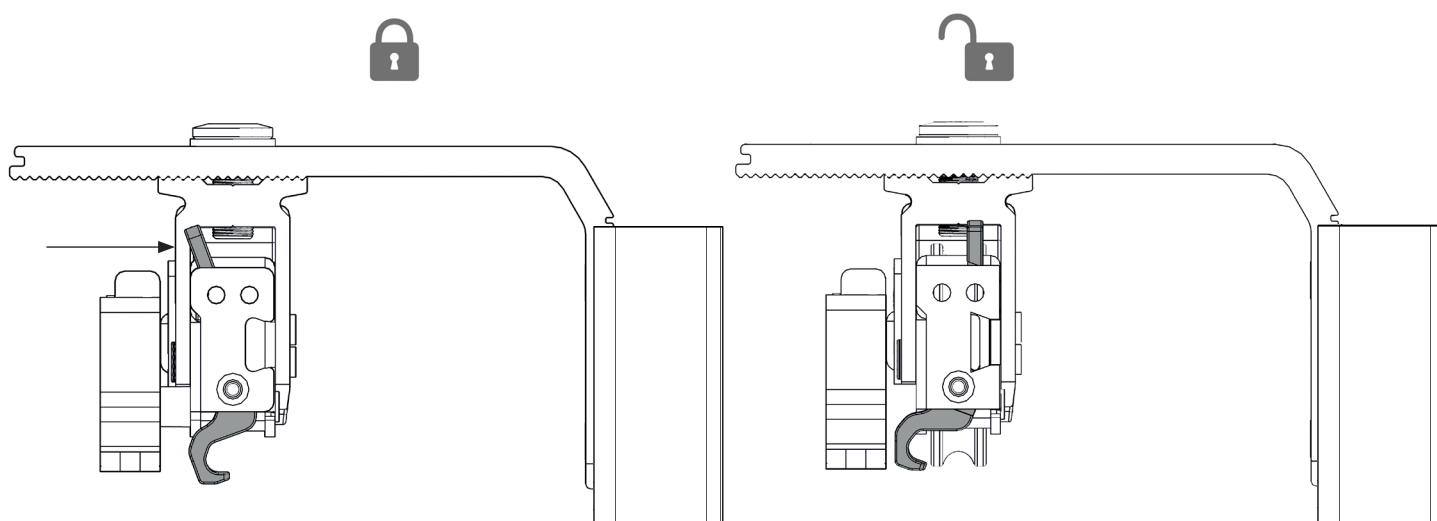
Step 16.

Slide activation stop to 'un-activated' position.



Step 17.

Press anti-jumping device lever to unlocked position.



Step 18.

Repeat steps 11 - 17 for other side of the door.

Step 19.

Cut top and bottom tracks to length. (See customer specific bedroom plan for details.)

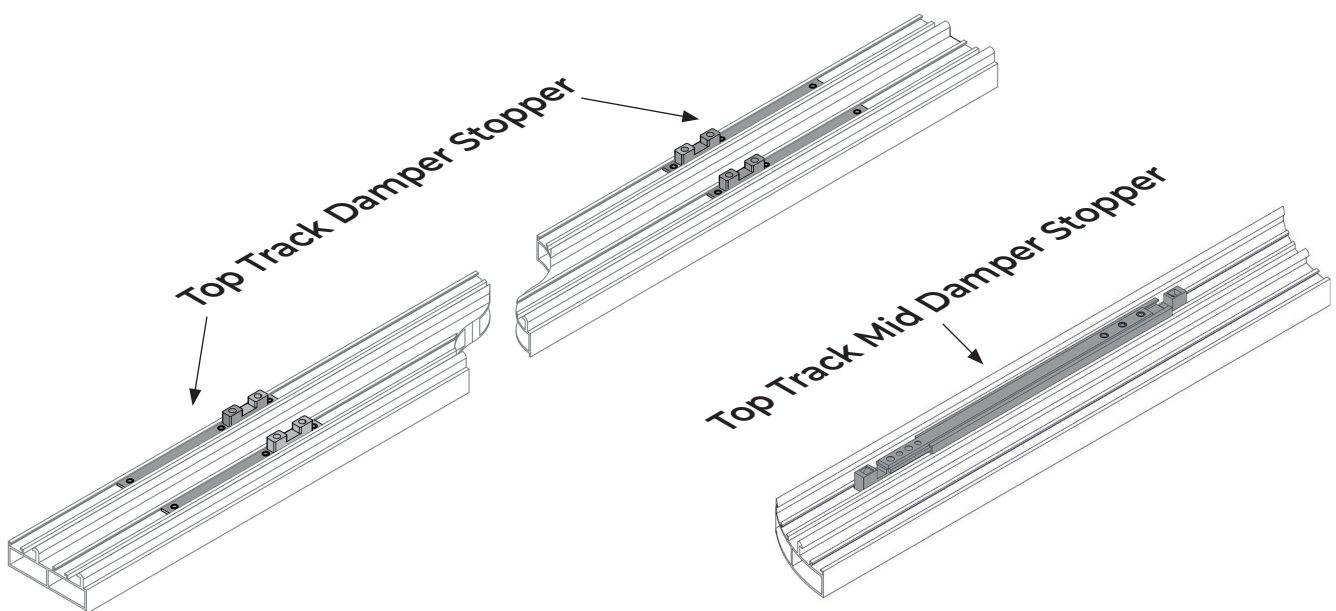


Step 20.

Position front and back 'Top Track Damper Stoppers' in both ends of the top track. Do not tighten until step 32.

If a 3 door system is used, see customer specific plan for locations of the 'Top Track Damper Stoppers' for the front door, as this varies depending whether it is right or left opening.

See page 19 for 2 door configuration view, and page 18 for 3 door configuration view.

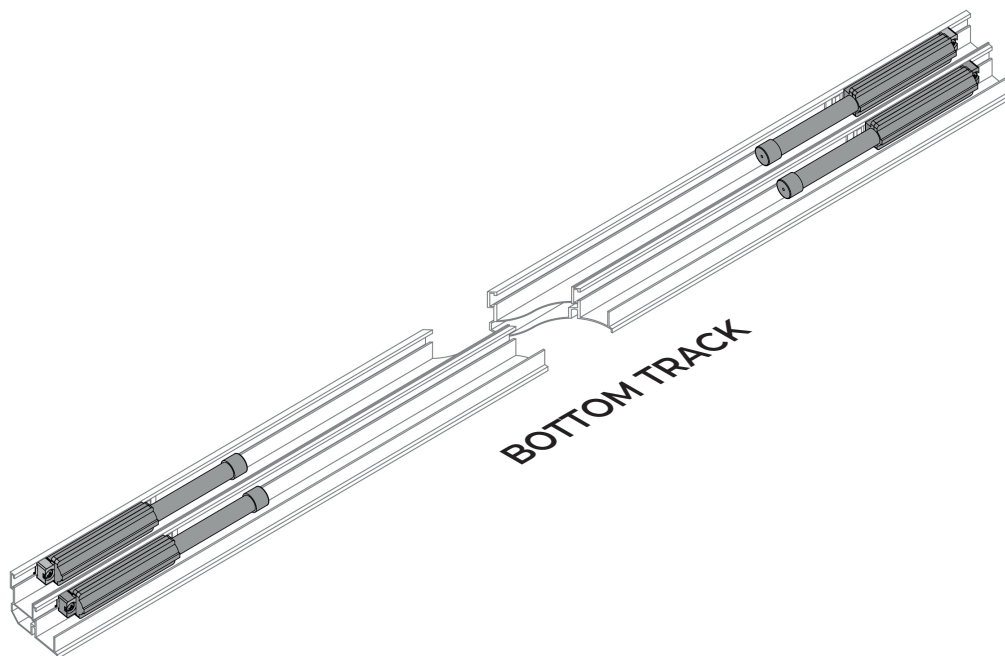


If the run of units is a three door configuration, insert the 'Top Track Mid Damper Stopper' into the top track in the front stopper groove.

For 3 door configuration see page 18, For 2 door configuration see page 19

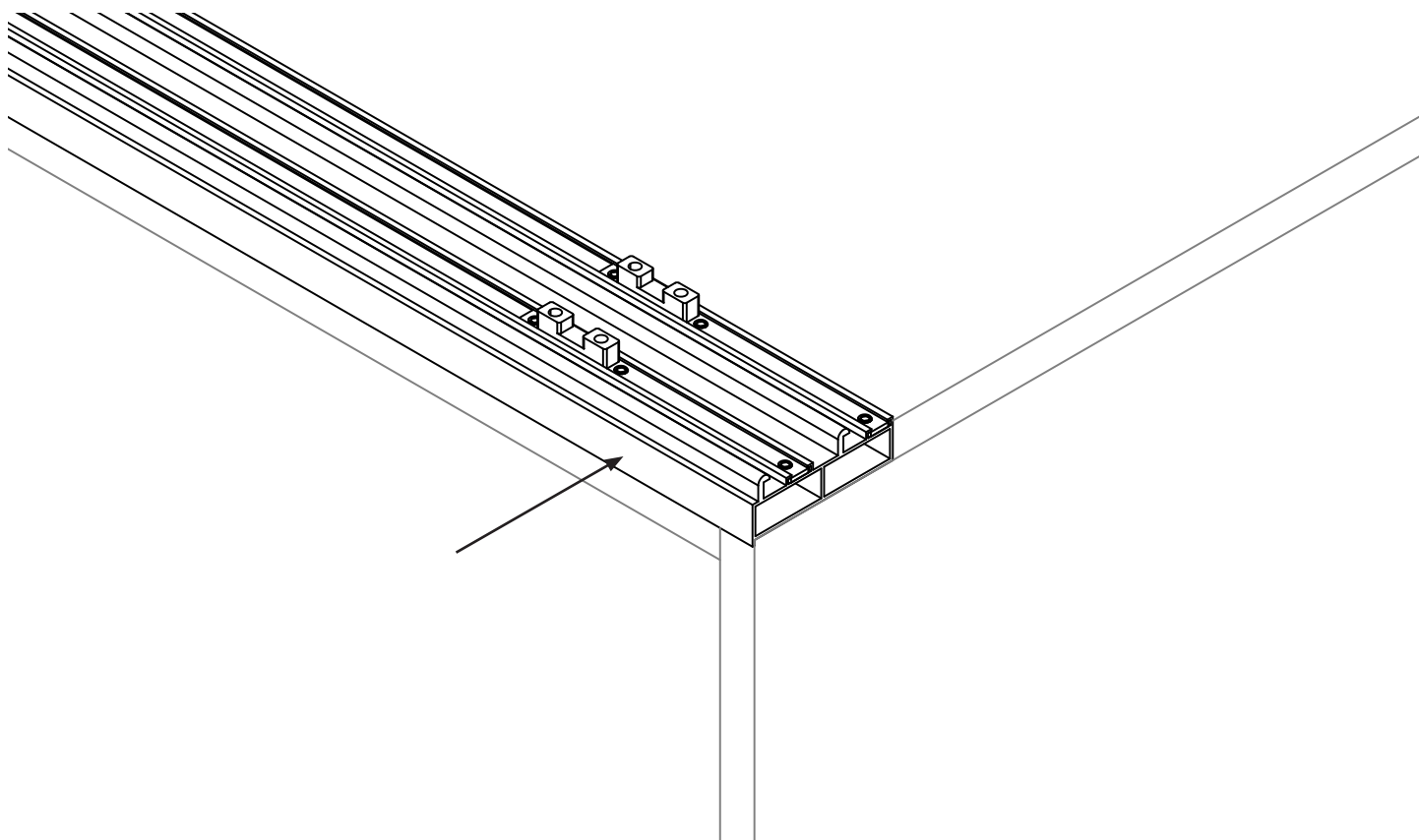
Step 21.

Position front and back 'Damper Stopper' in both ends of the bottom track. Do not tighten until step 32.



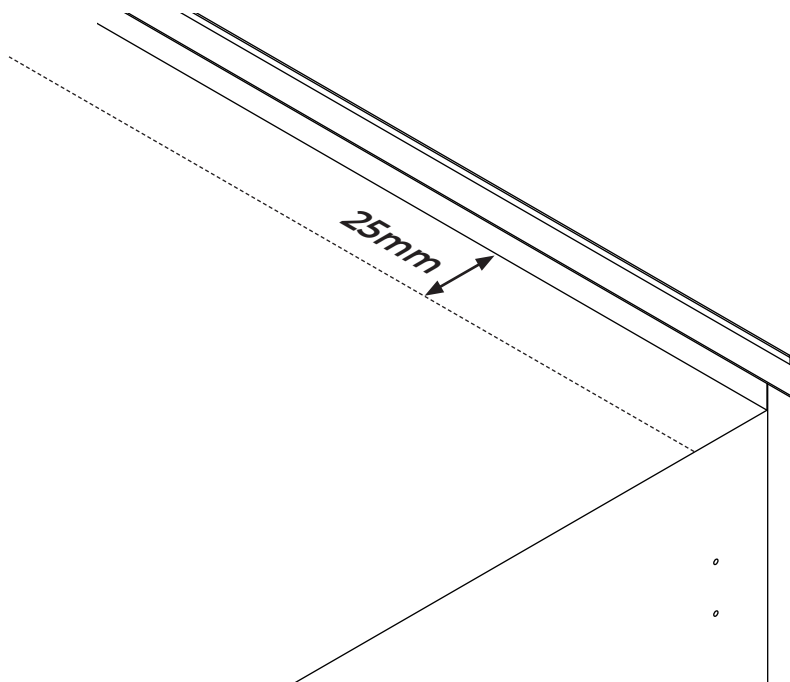
Step 22.

Place the top track on top of the unit and push it back so that the retaining stop is tightly pressed to the front of the top fixed shelf.



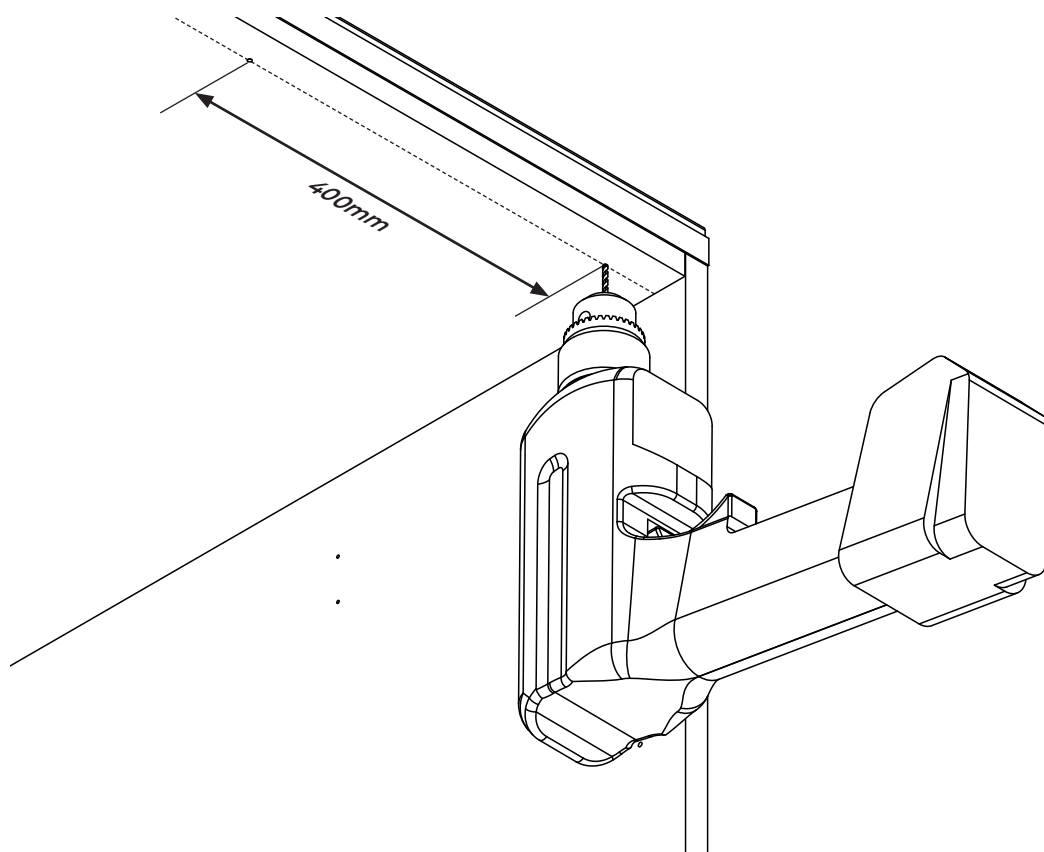
Step 23.

Mark the underside on the top fixed shelf 25mm from the front.



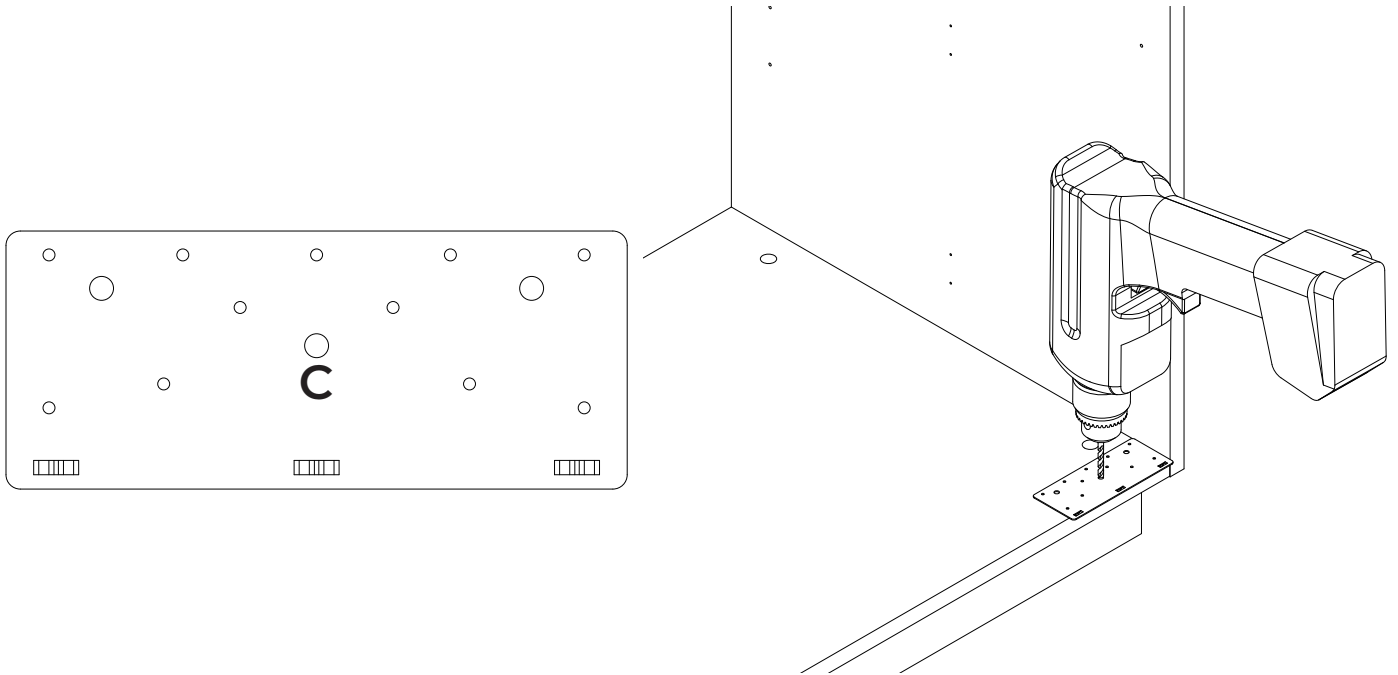
Step 24.

Predrill the marked line every 400mm with a 3.5mm drill bit and using (4.0 x 30mm countersunk) screws attach the top track to the top of the fixed shelf.



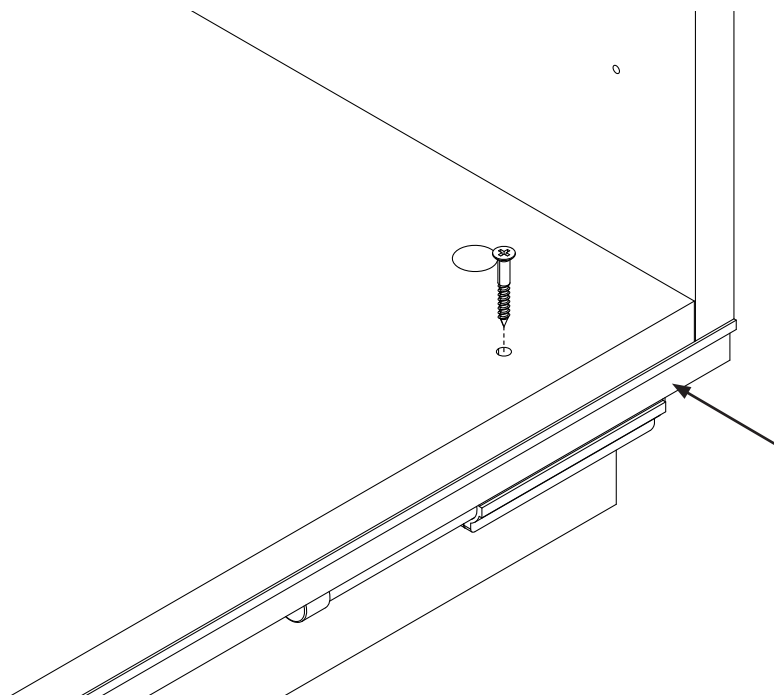
Step 25.

Position the drilling template at the end of the base fixed shelf in contact with the end panel. Using position 'C' drill a 5mm hole. Repeat for both sides of each unit in the run.



Step 26.

Position the bottom track below the bottom fixed shelf. Make sure that the retaining stop on the bottom track is pushed tightly to the front of the fixed shelf.

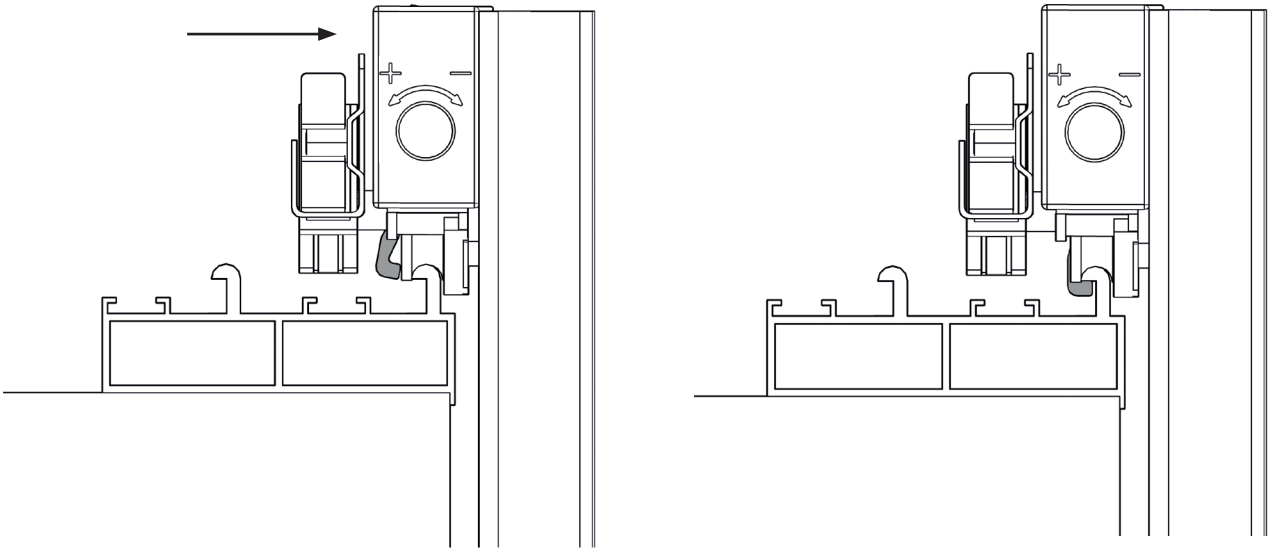


Step 27.

Using (4.0 x 30mm countersunk) screws attach the bottom track to the bottom of the bottom fixed shelf.

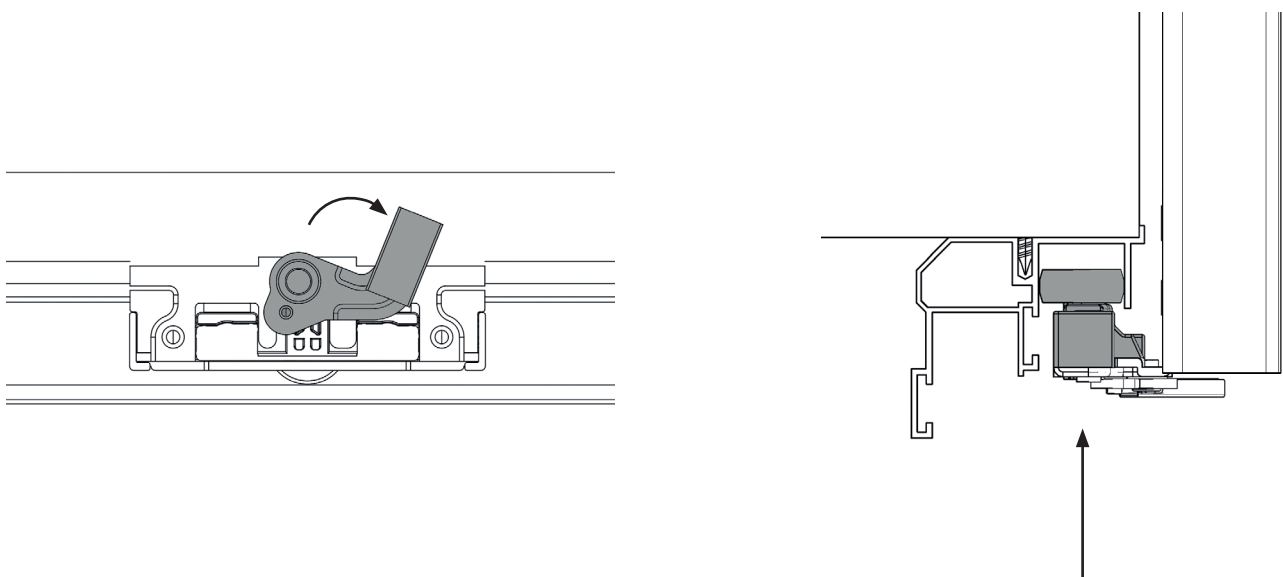
Step 28.

Lift inside door assembly on to the top of the outside track.



Step 29.

Press 'anti-jumping' device on both top rollers to secure the door to the top track.



Step 30.

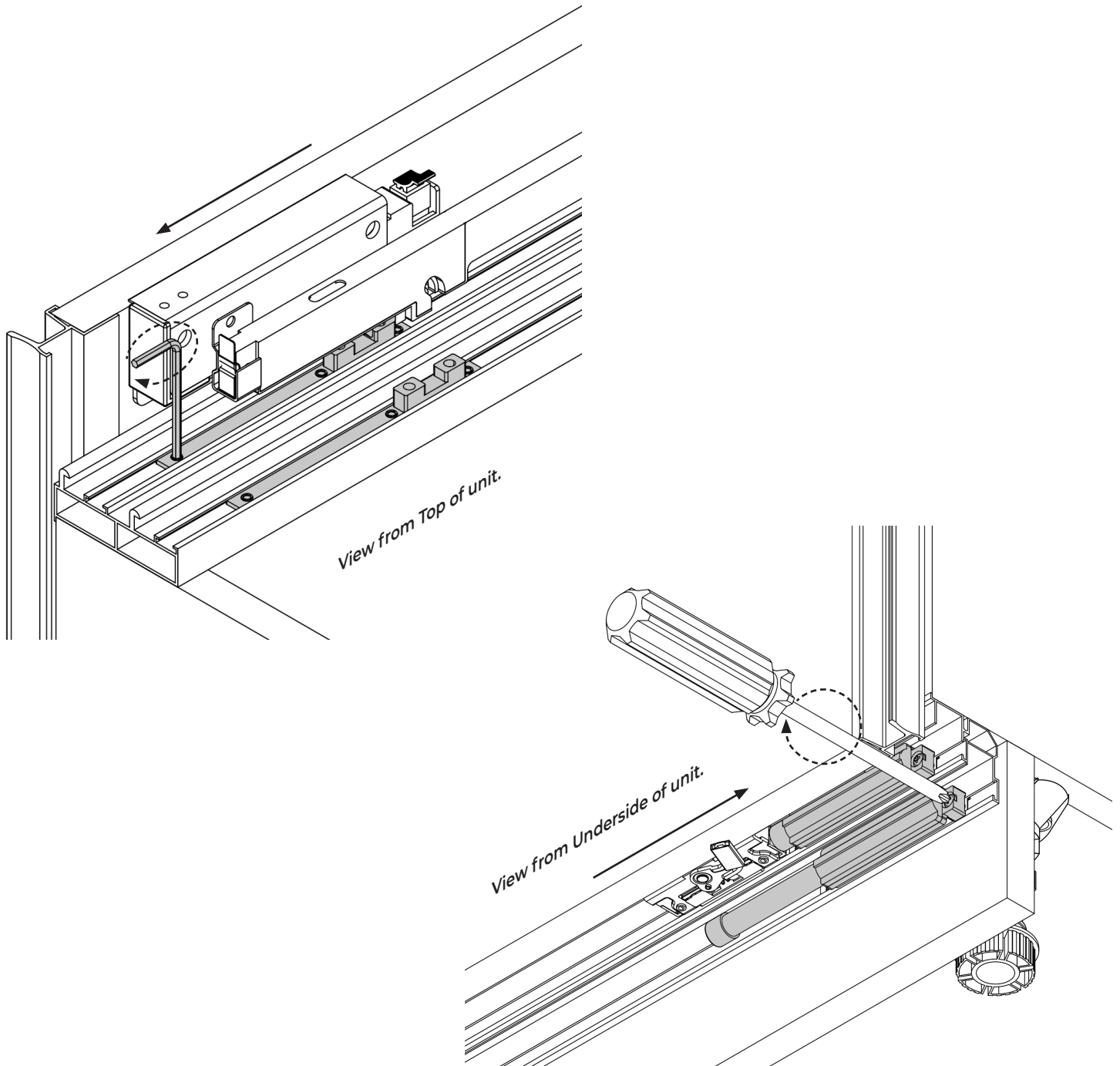
Press levers on 'Bottom Rollers' to raise the wheels onto the bottom track (front).

Step 31.

Using outside screws on the top rollers (marked with + / - symbols) adjust the height of the door as required (+/- 3.5mm)

Step 32.

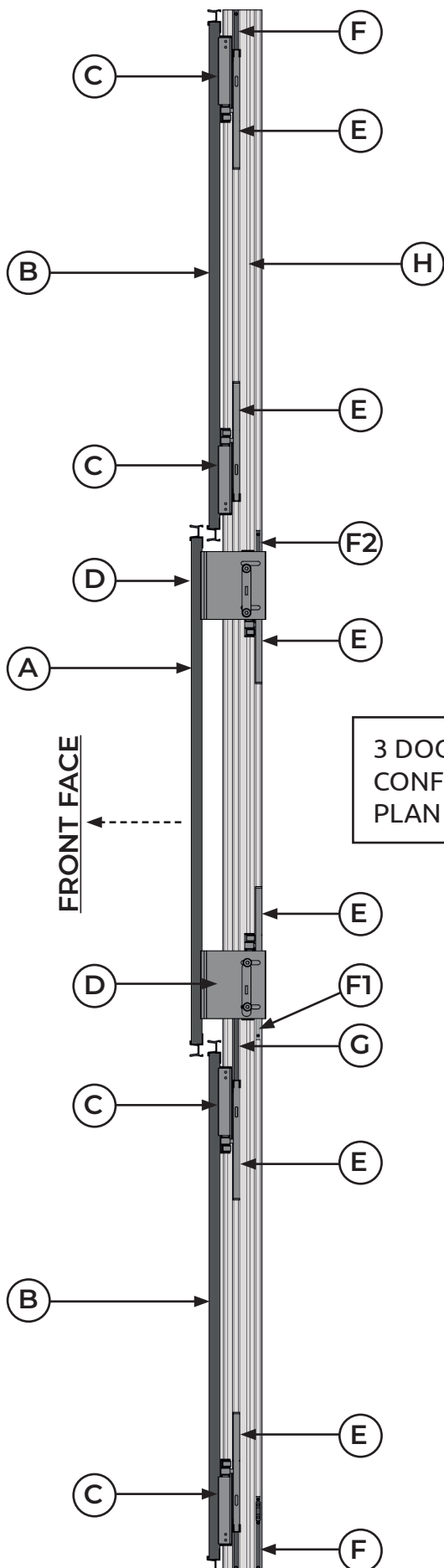
Push the door to the end position. Tighten top and bottom 'Damper Stoppers' where they end once the door is at the end position. Repeat for both sides of the door.



Step 33.

Repeat steps 28 - 32 for the outside door assembly.

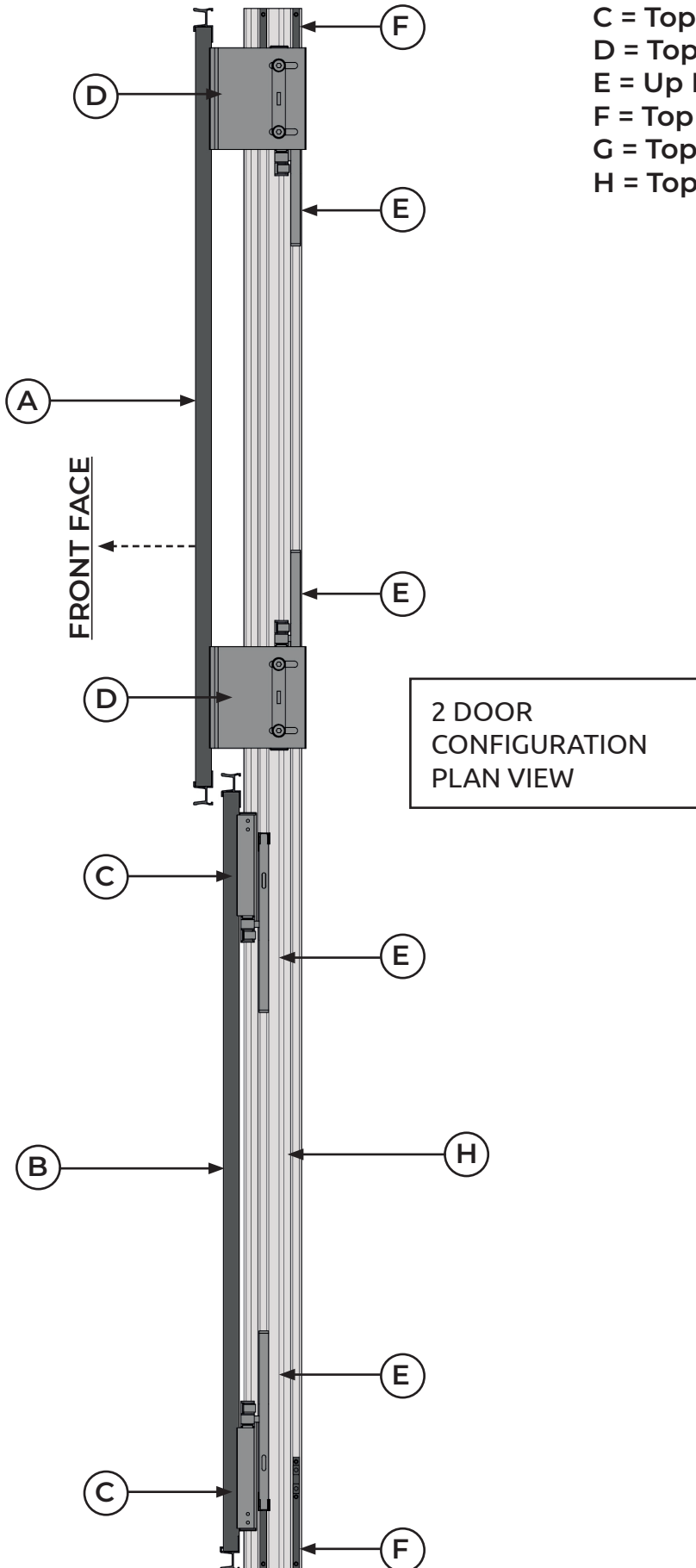
- A = Front Door
- B = Rear Door
- C = Top Roller (Inside)
- D = Top Roller (Outside)
- E = Up Dampers
- F1 = Top Track Damper Stoppers (LH)
- F2 = Top Track Damper Stoppers (RH)
- G = Top MID Track Damper Stopper
- H = Top Track



'Top Track Damper Stopper' position for the
Left hand opening front door = F1
Right hand opening front door = F2

3 DOOR
CONFIGURATION
PLAN VIEW

- A = Front Door
- B = Rear Door
- C = Top Roller (Inside)
- D = Top Roller (Outside)
- E = Up Dampers
- F = Top Track Damper Stoppers
- G = Top MID Track Damper Stopper
- H = Top Track



wren